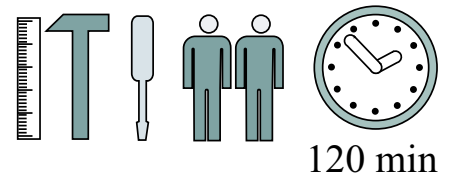
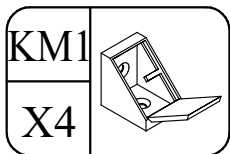
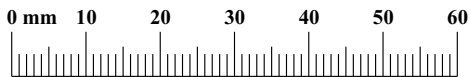
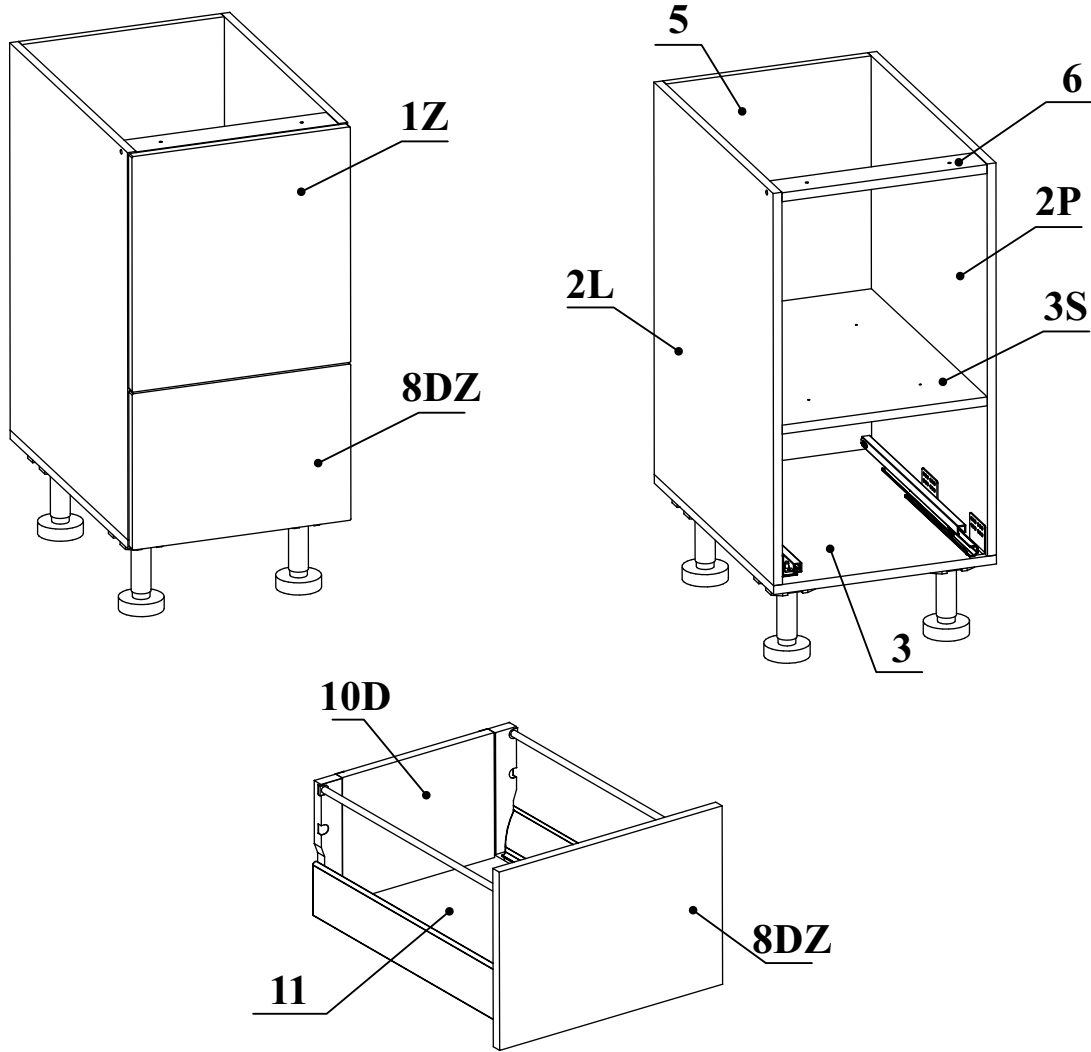
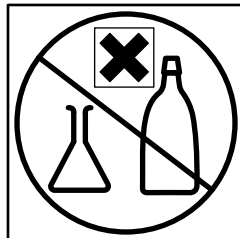
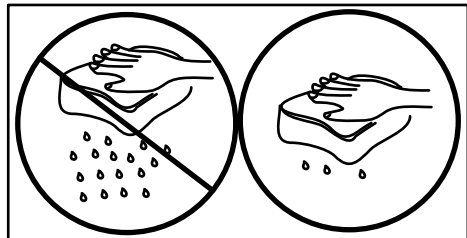
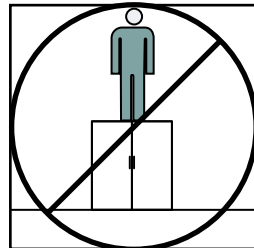
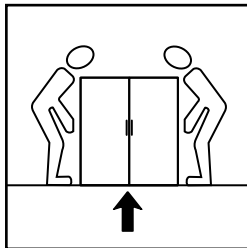
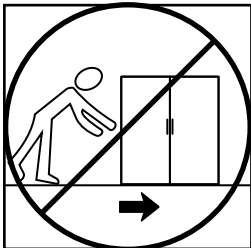
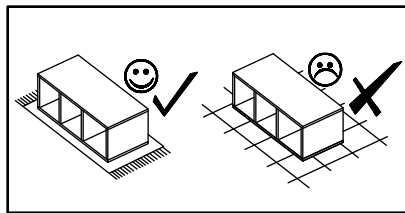
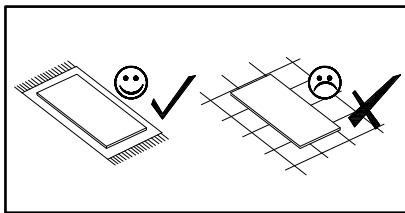
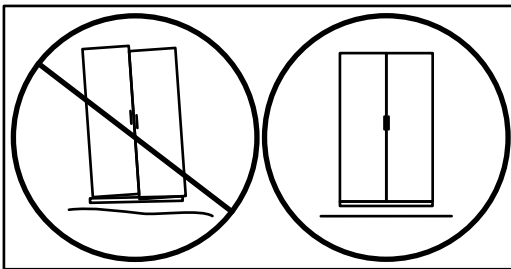
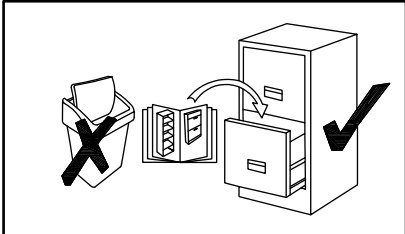
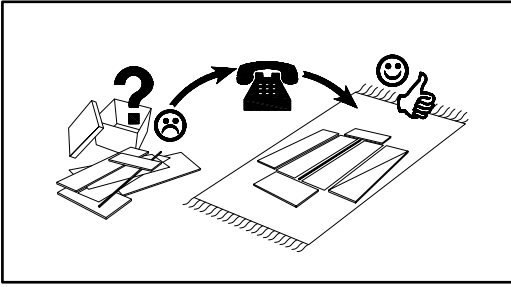


EURO

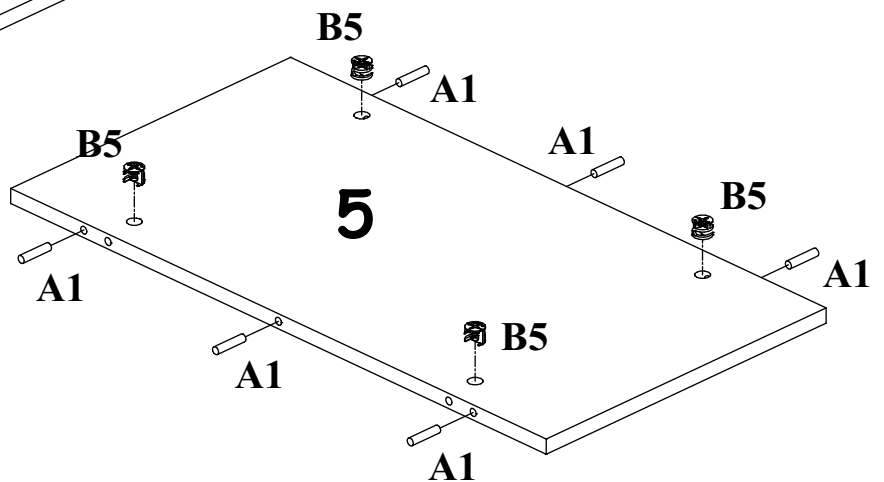
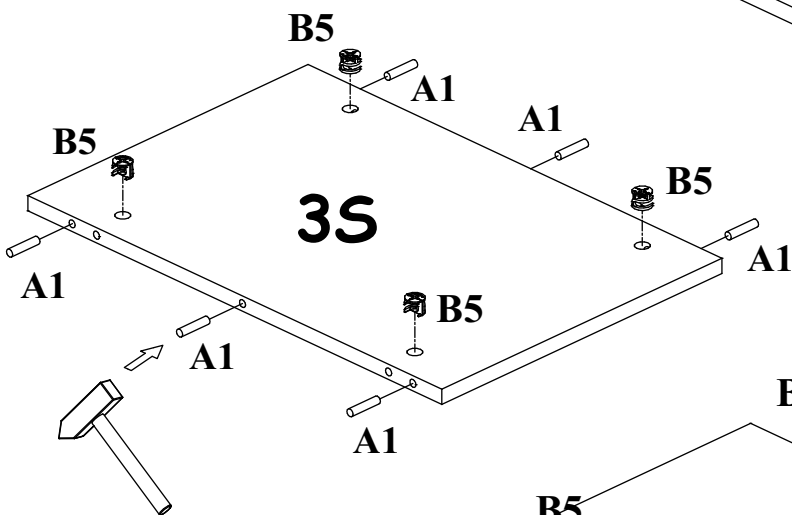
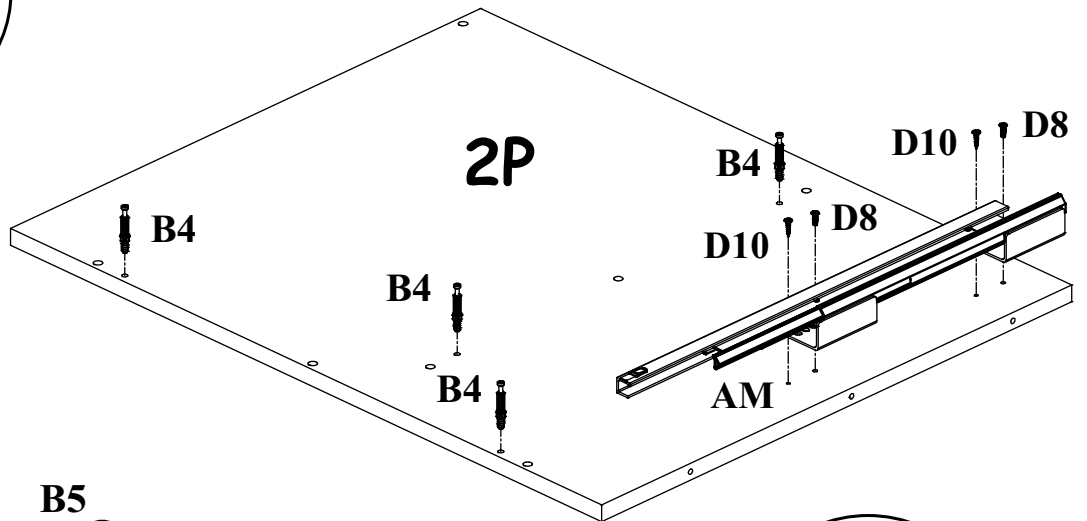
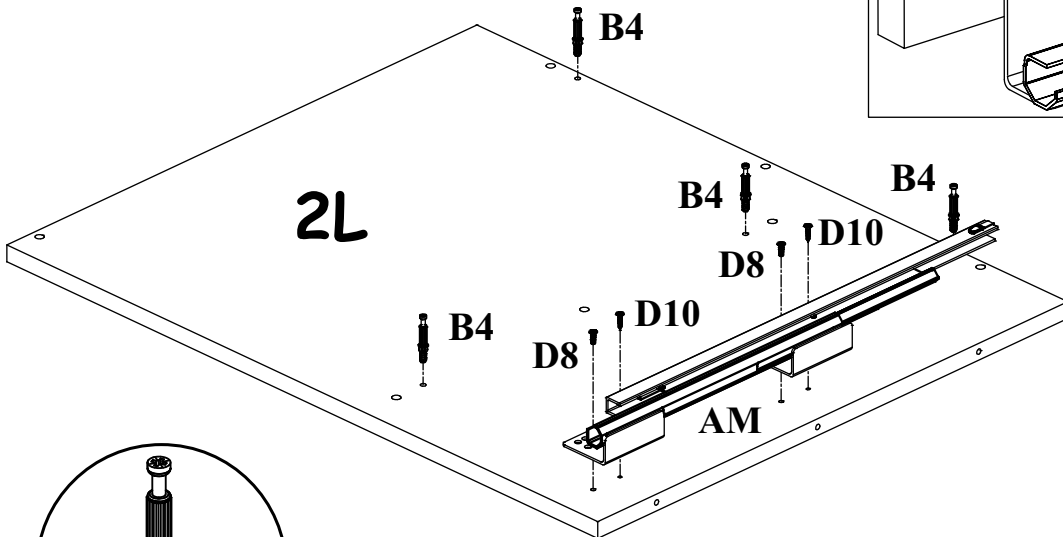
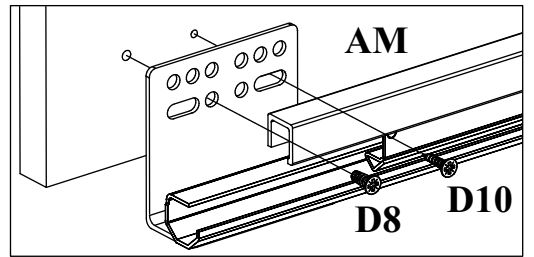
S40SZ1A-KO



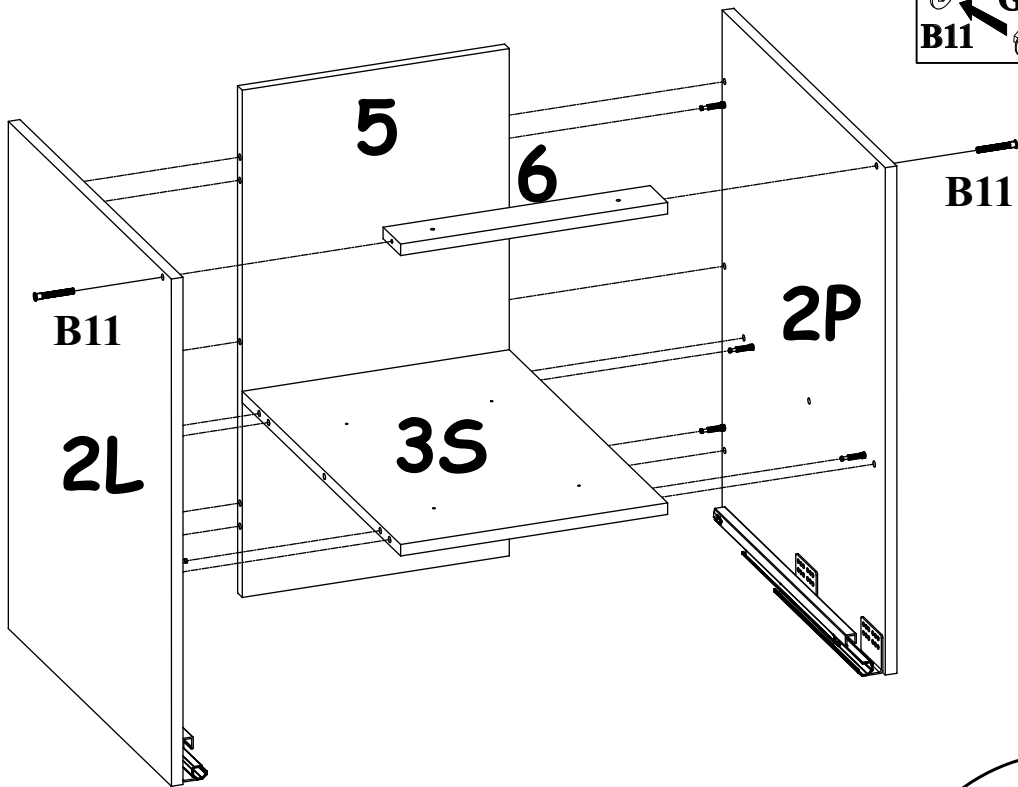
A1 X12 ø8x36	B4 X8	B5 X8 ø15x12	G5 X8	D30 X8 USØ3,5x16	UP6 X2 UPØ4x30
RE X1	D8 X4 ESØ5x13	B11 X8 Ø7x50	G4 X8	D10 X4 USØ3,5x13	G2 X1
AM X1	AM2 X1	I15 X4 L-150 mm	I16 X2	D27 X16 USØ4x35	Z2 X4 Ø5



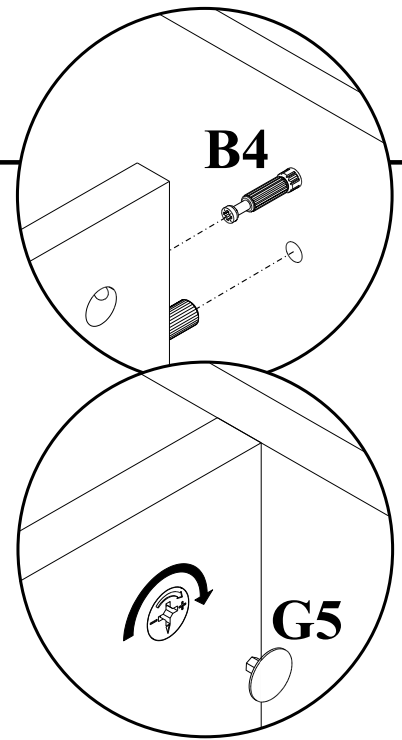
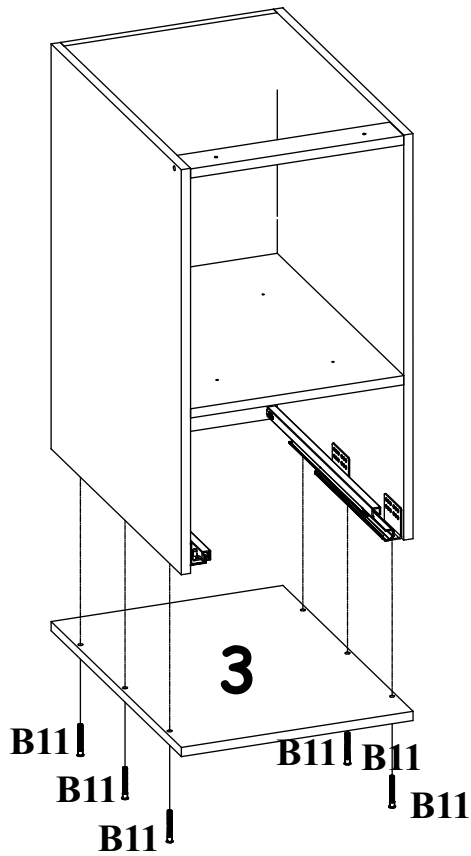
1



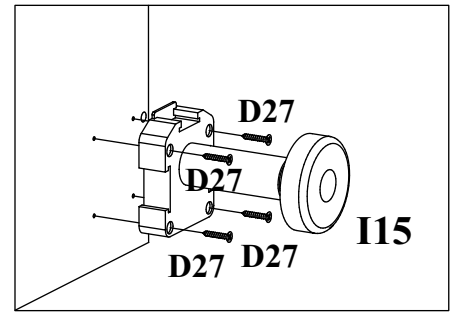
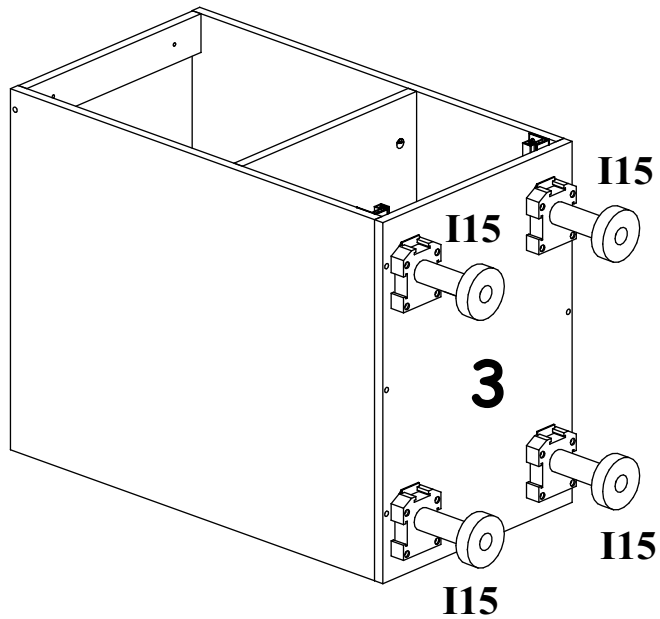
2



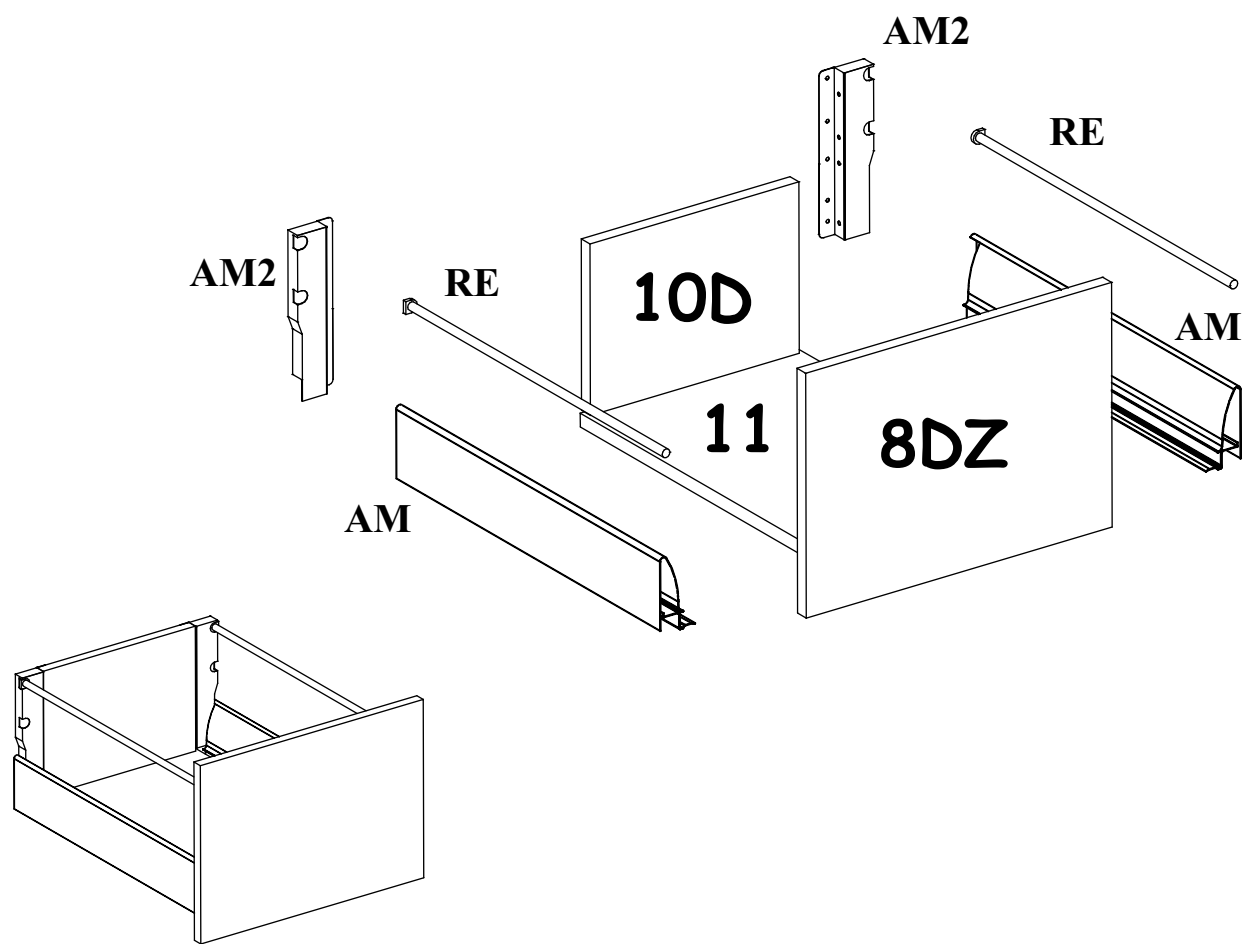
3



4

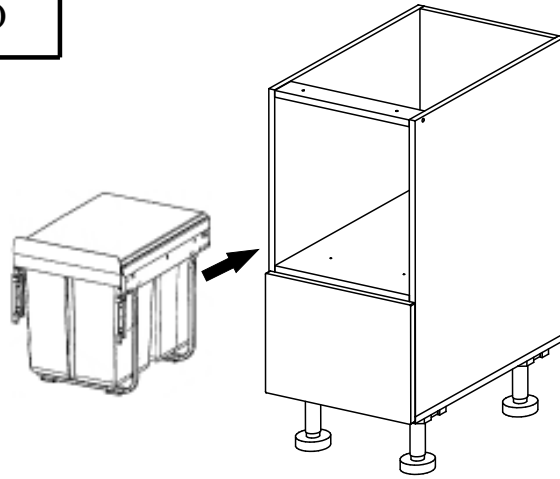


5



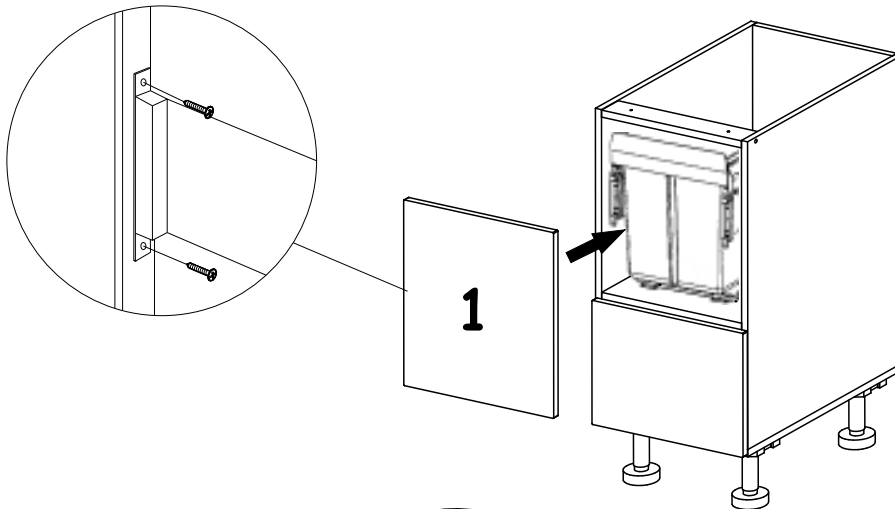
See additional installation instructions

6



See additional installation instructions

7



8

