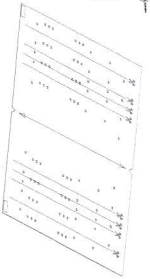
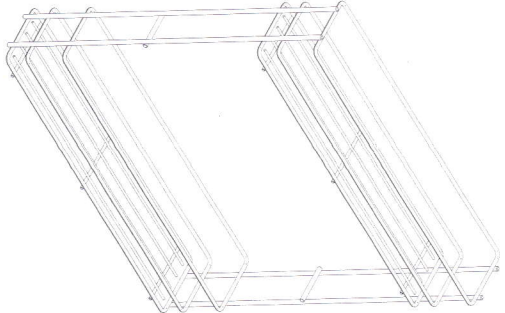
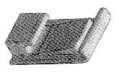


A1 x2



C1 x1



C7 x4



C8 x4
M4x10



C2 x2



C9 x4
M4



C3 x4
M5x6



C4 x2
M5x10

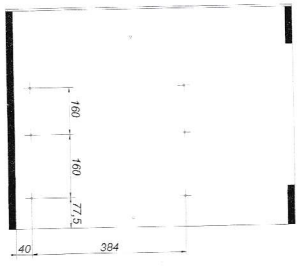
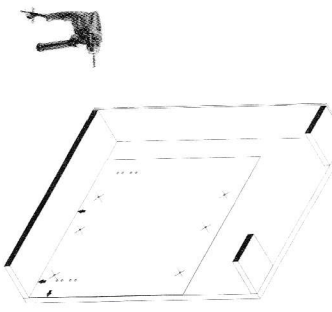


C5 x14
4 x 14



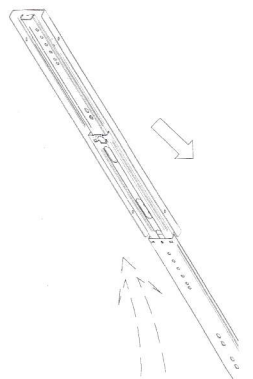
C6 x1

1
C1 x1



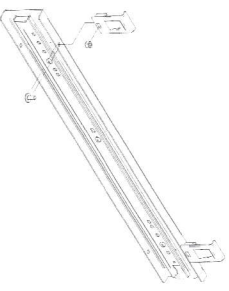
2

A1 x2



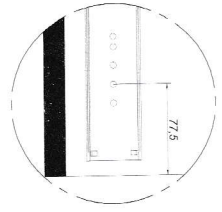
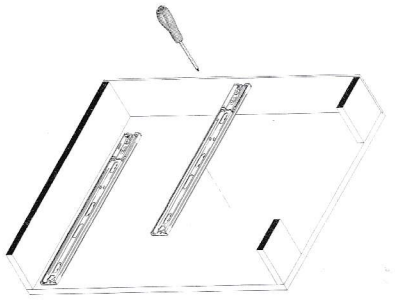
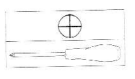
3

A1 x2
C7 x4
C8 x4
C9 x4



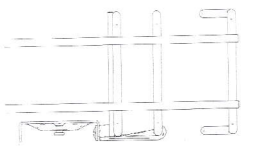
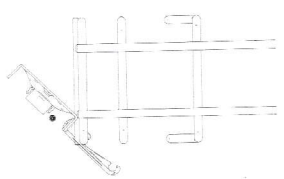
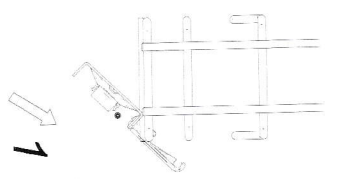
4

A1 x2
C5 x6



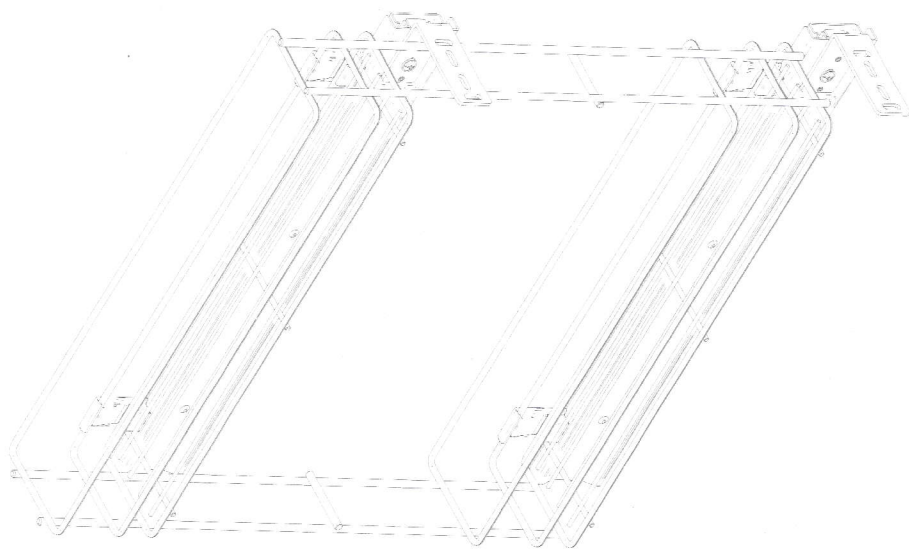
5

A1 x2
B1 x1

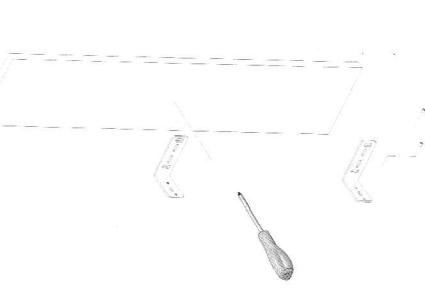


3

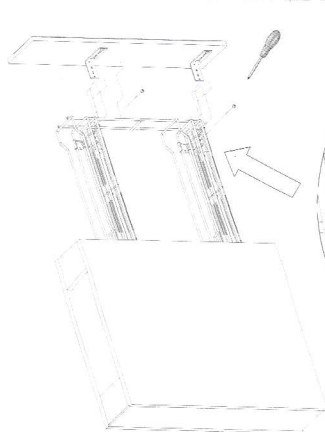
Cargo mini boczne Variant



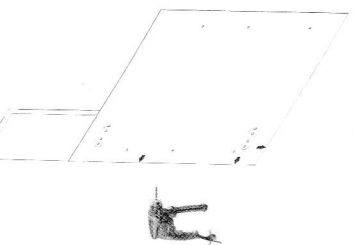
- 7
- C2 x2
 - C3 x4
 - C5 x4
 - C6 x1



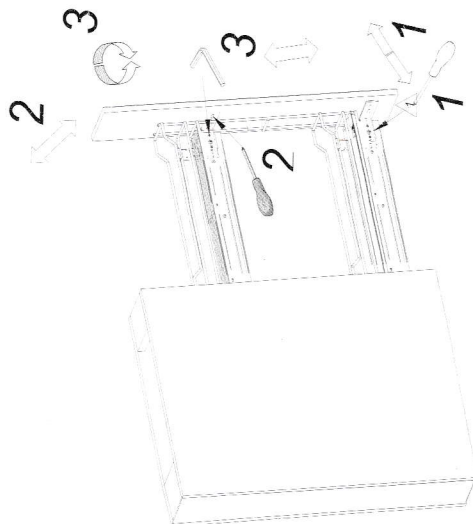
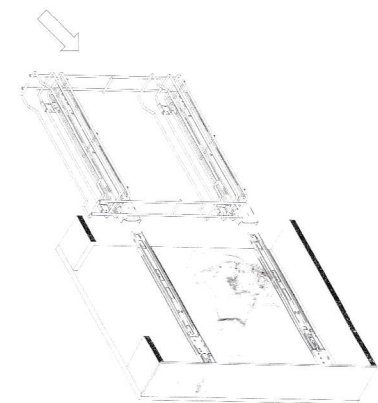
- 9
- C4 x2



- 6
- C1 x1



- 8
- A1 x2
 - B1 x1



- 10
- C6 x1

Rejs Spółka z o.o.
 PL 87 - 500 Rypin
 ul. Mławska 61
 tel: +48 54 280 56 51
 fax: +48 54 280 6192
 www. rejs.eu