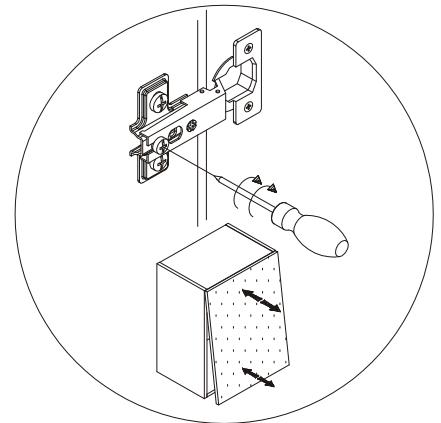
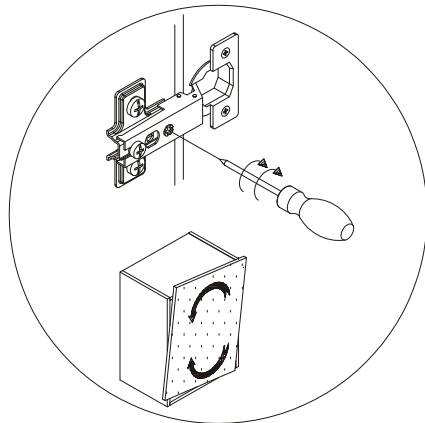
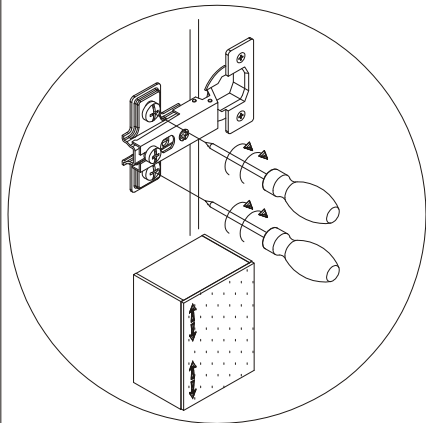
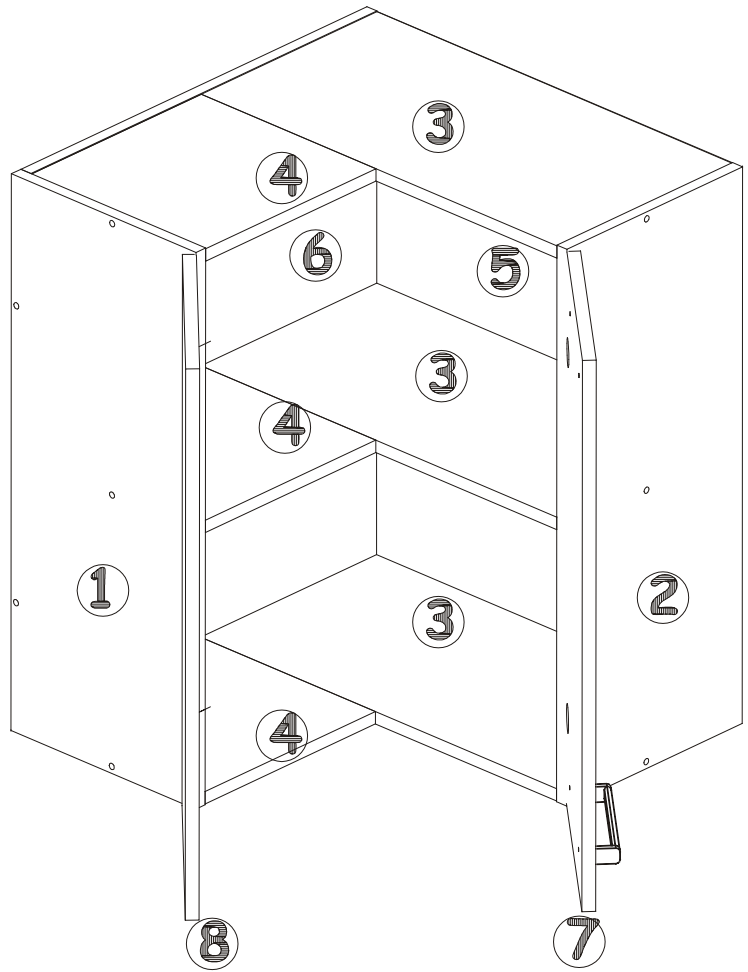
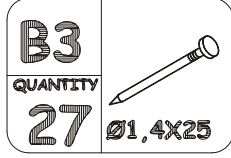
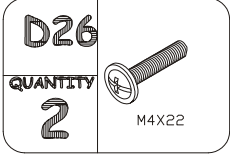
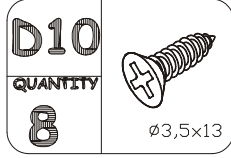
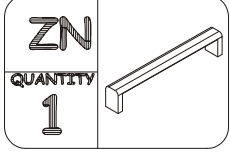
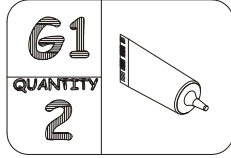
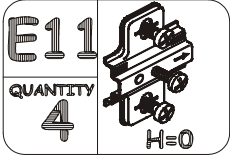
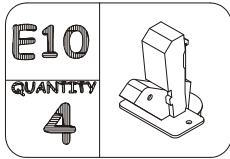
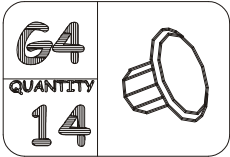
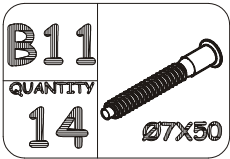
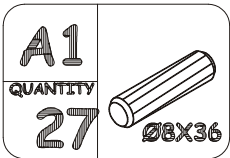


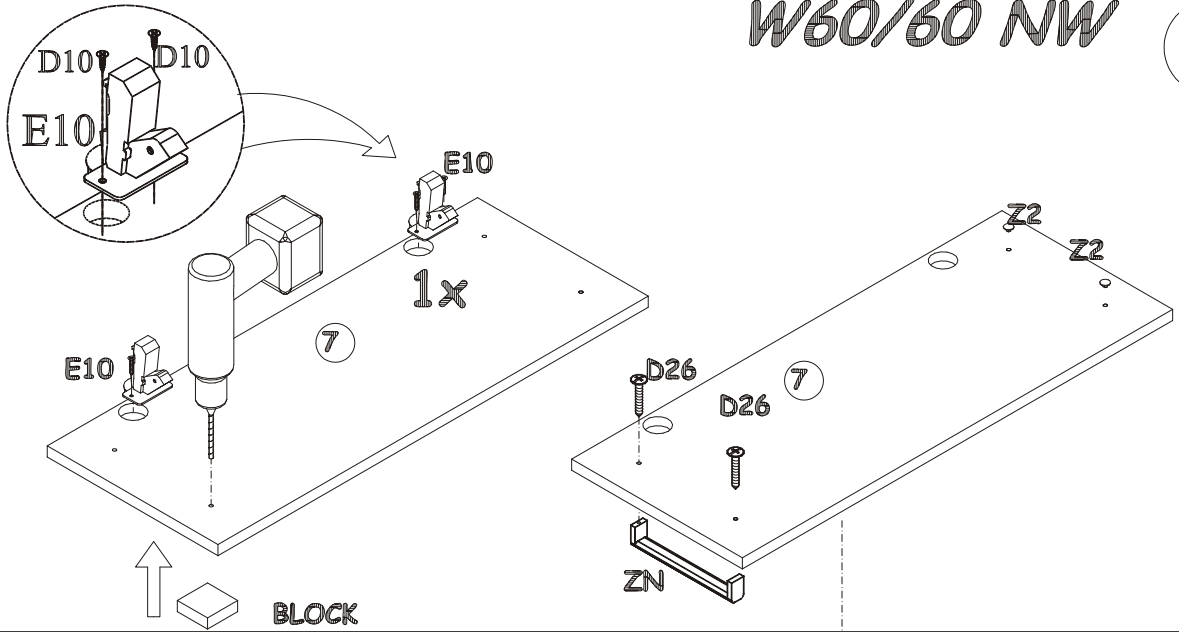
W60/60NW



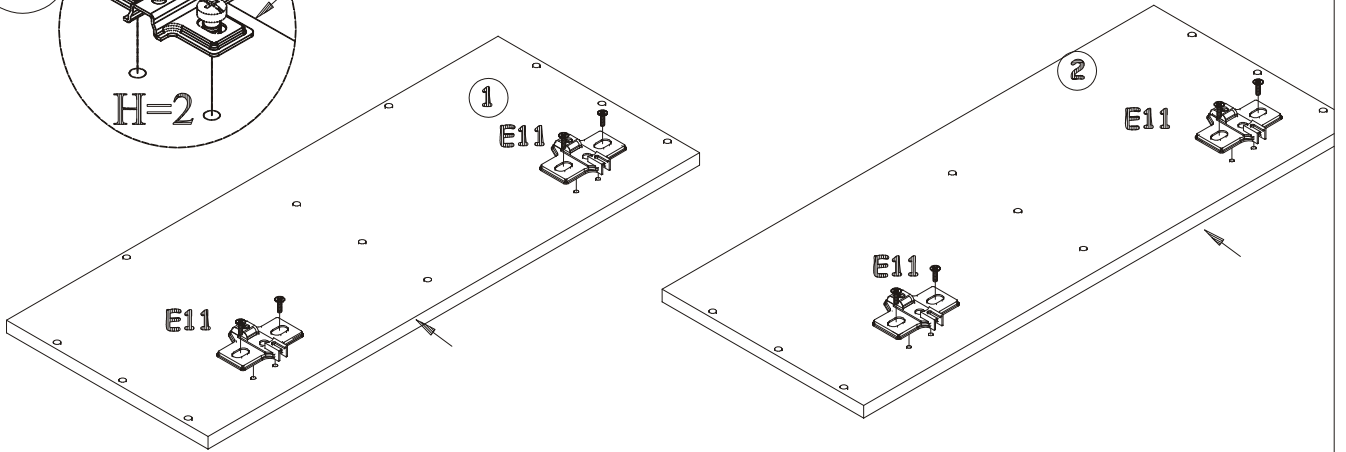
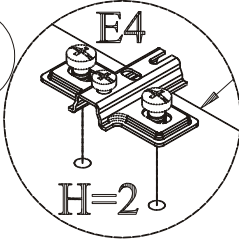
VI

W60/60 NW

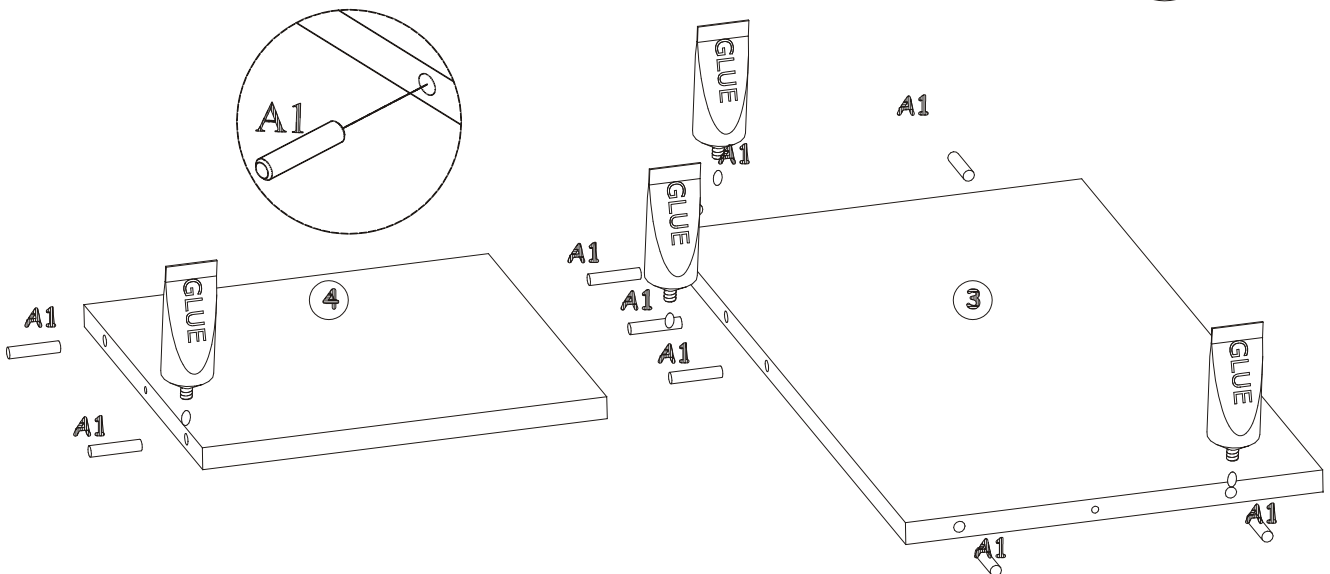
I

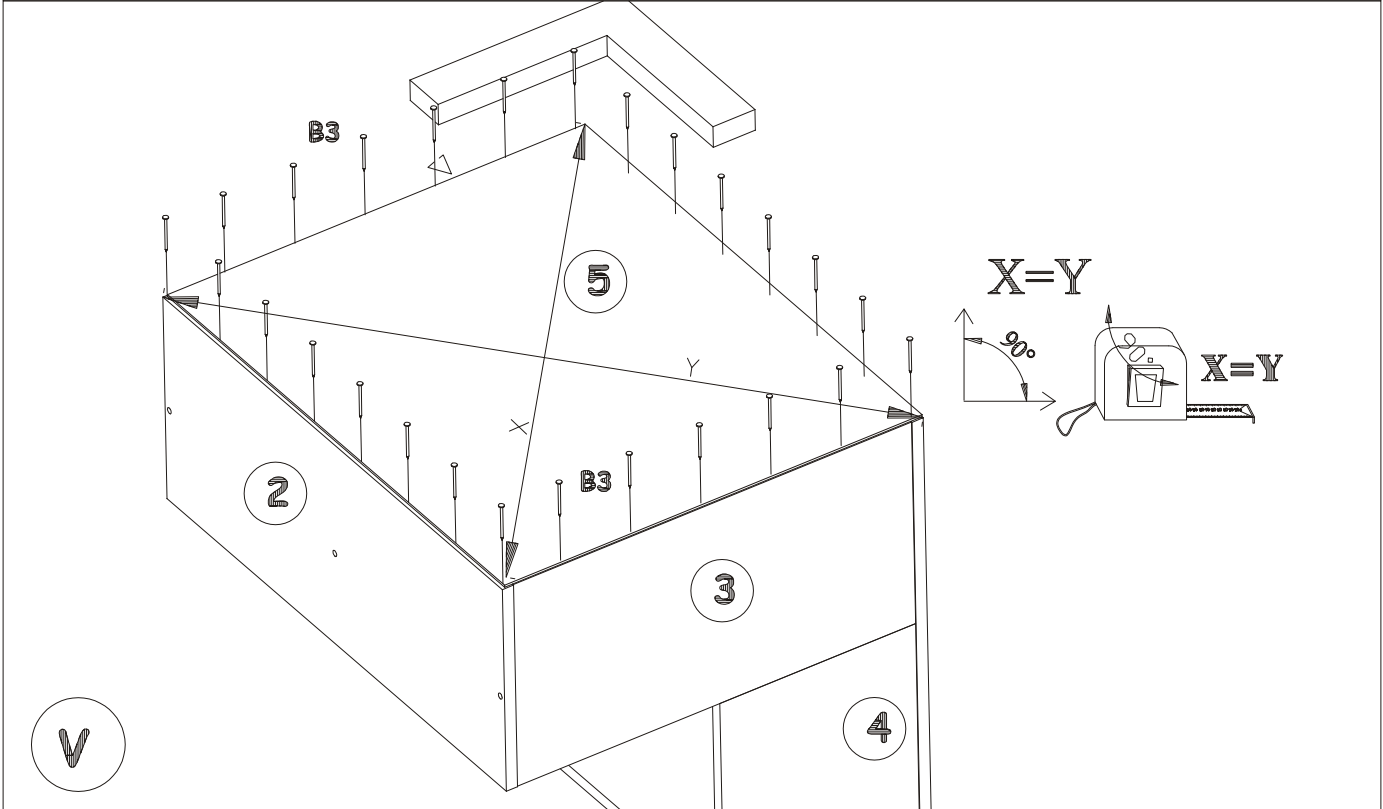
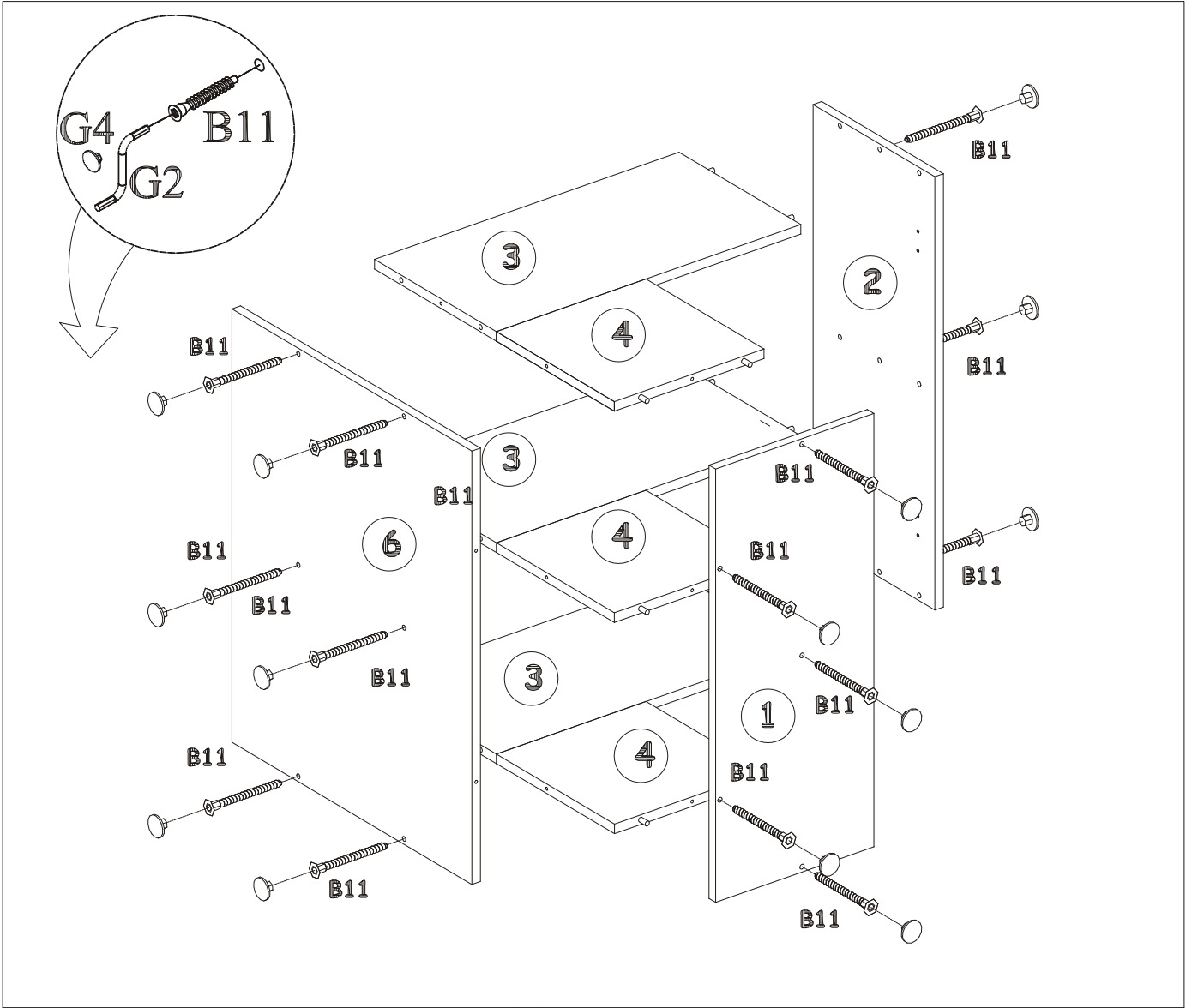


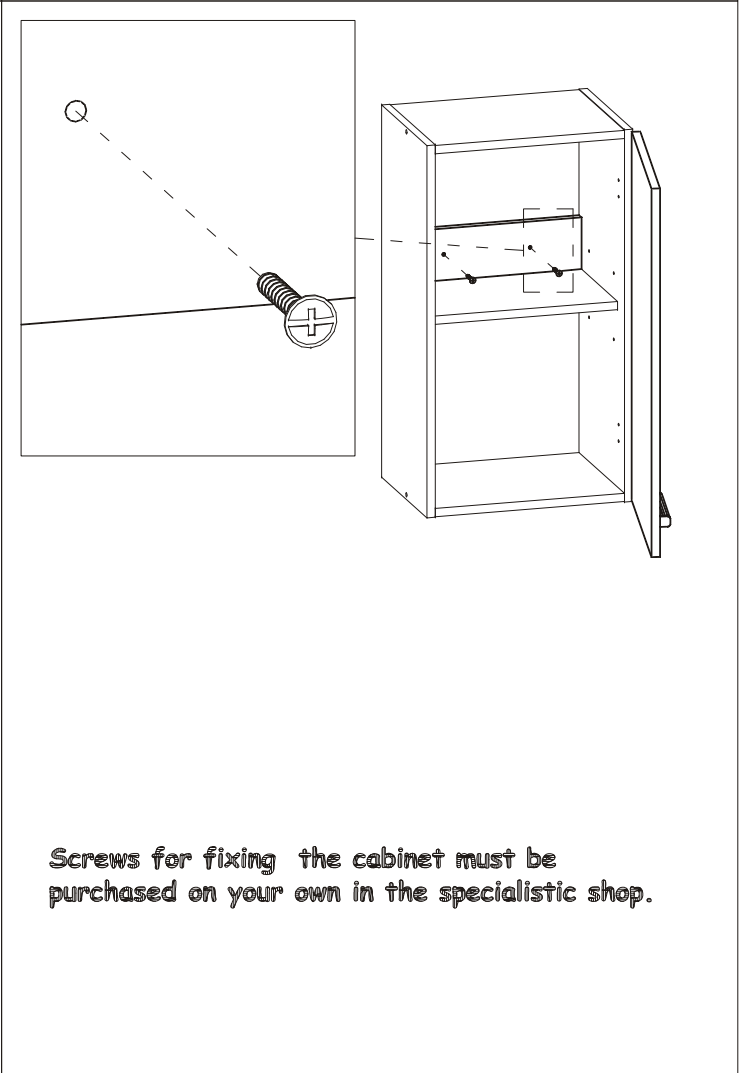
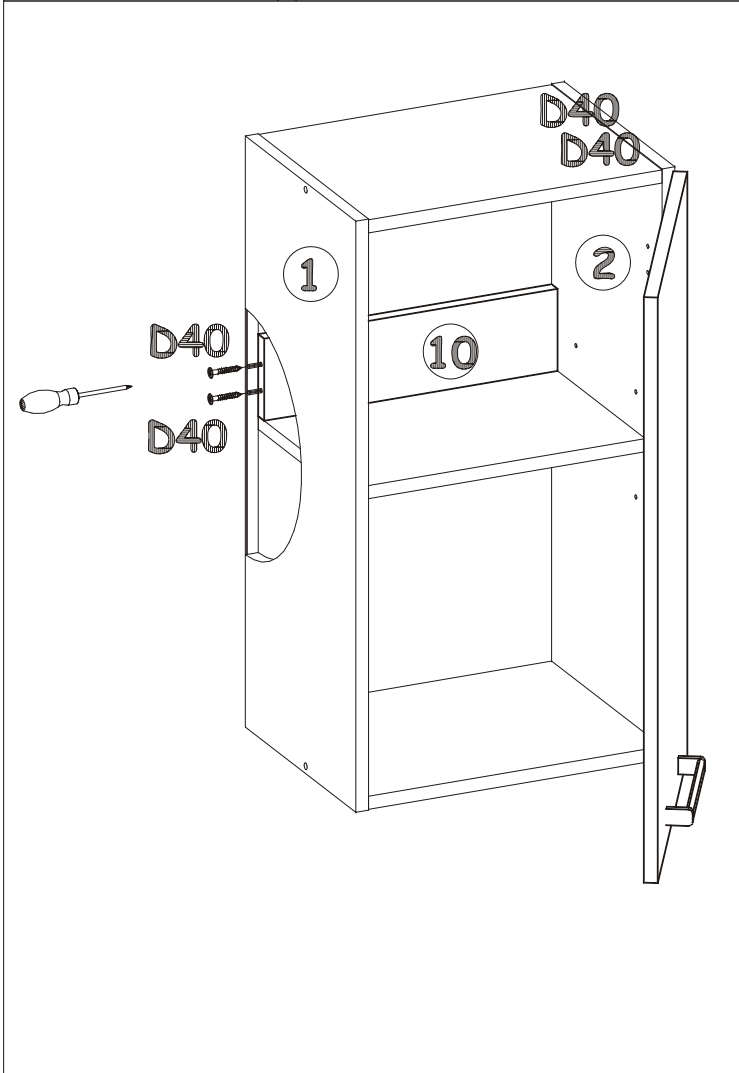
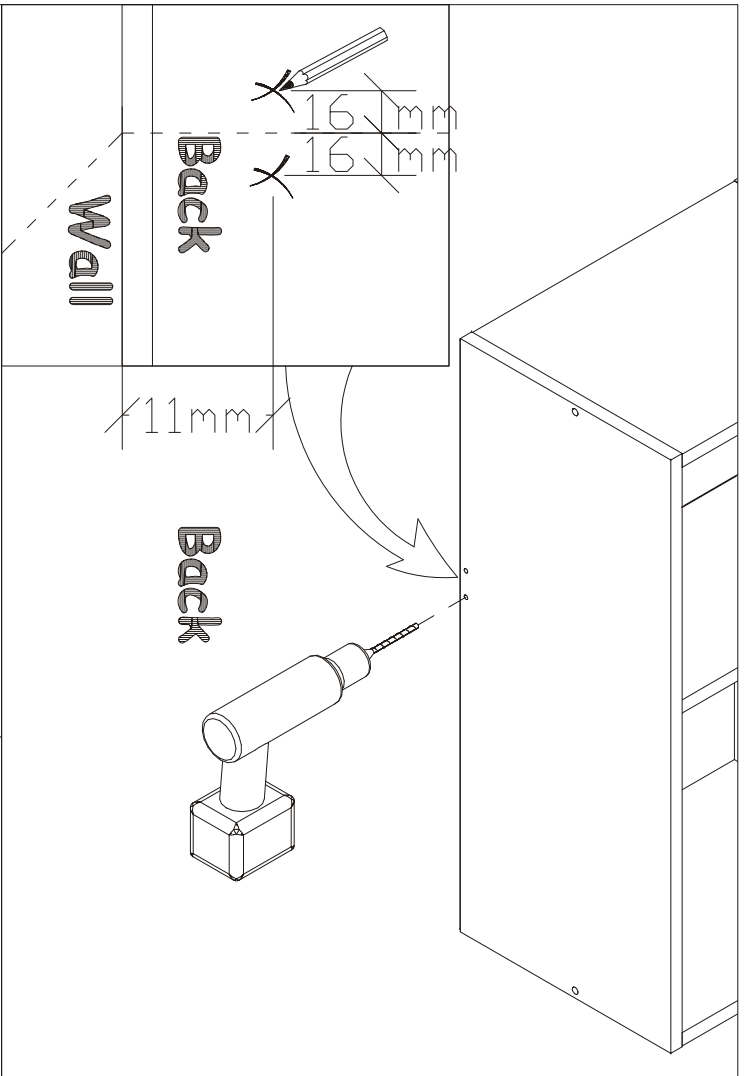
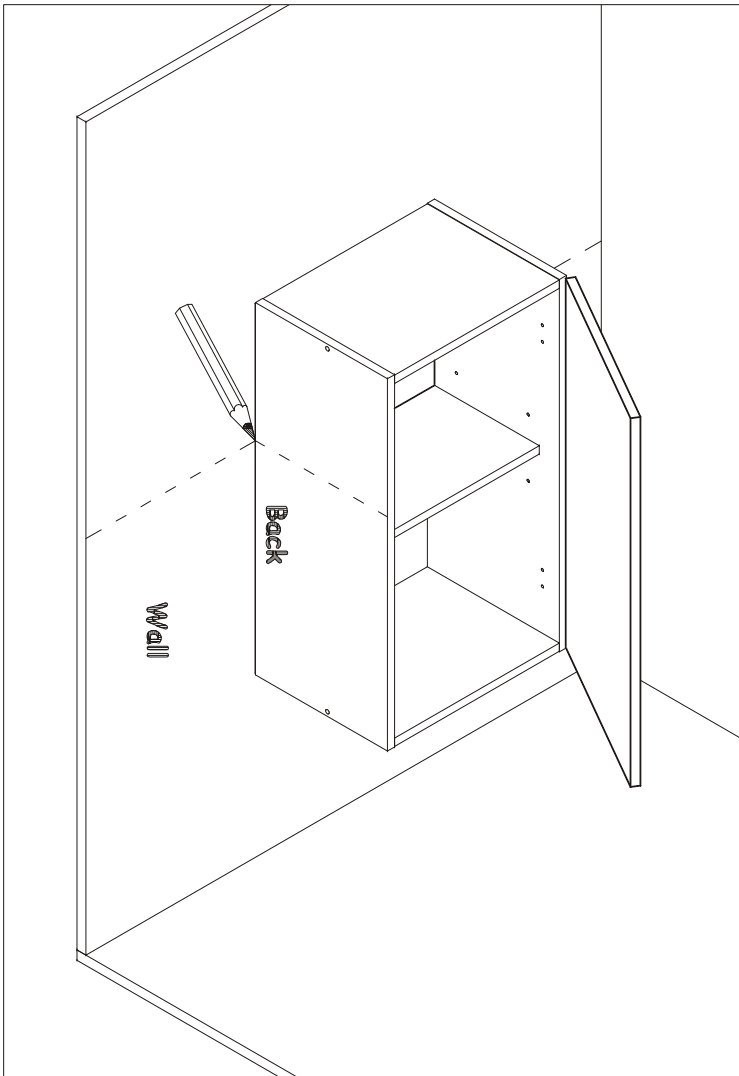
II



III







Screws for fixing the cabinet must be purchased on your own in the specialistic shop.