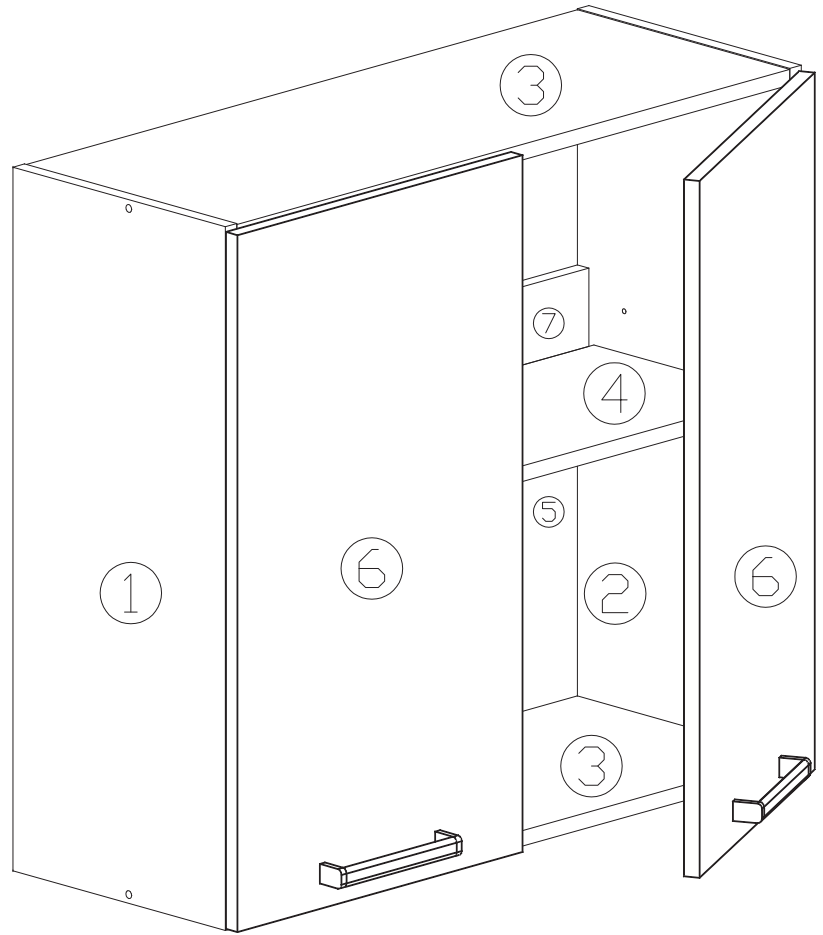
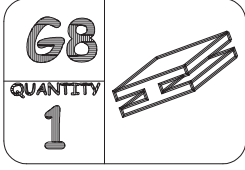
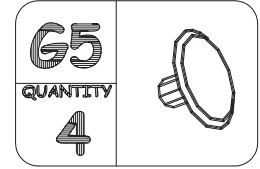
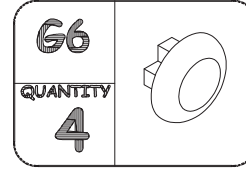
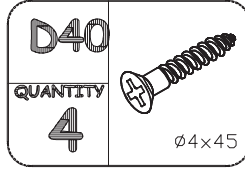
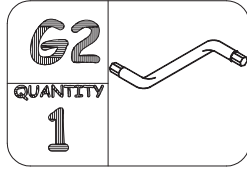
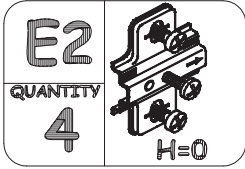
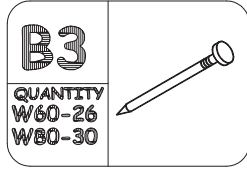
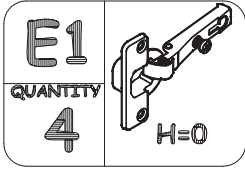
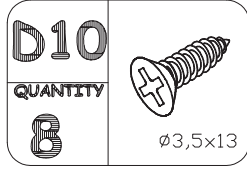
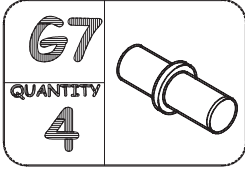
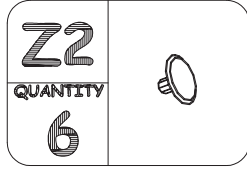
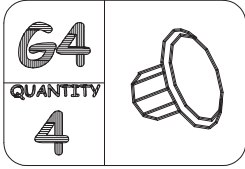
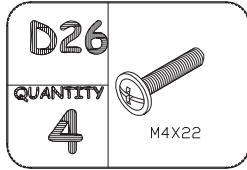
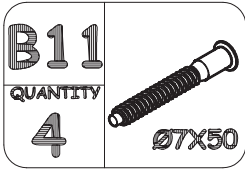
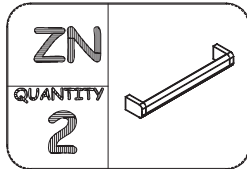
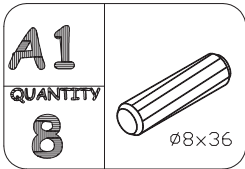
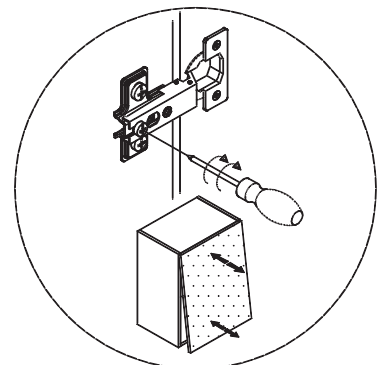
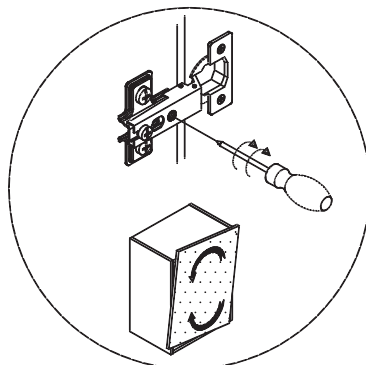
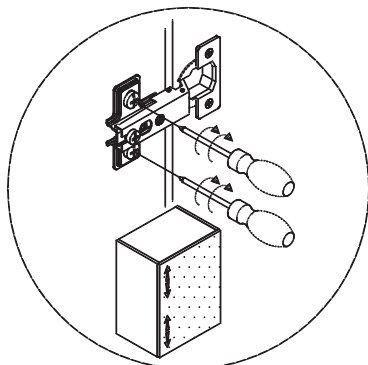


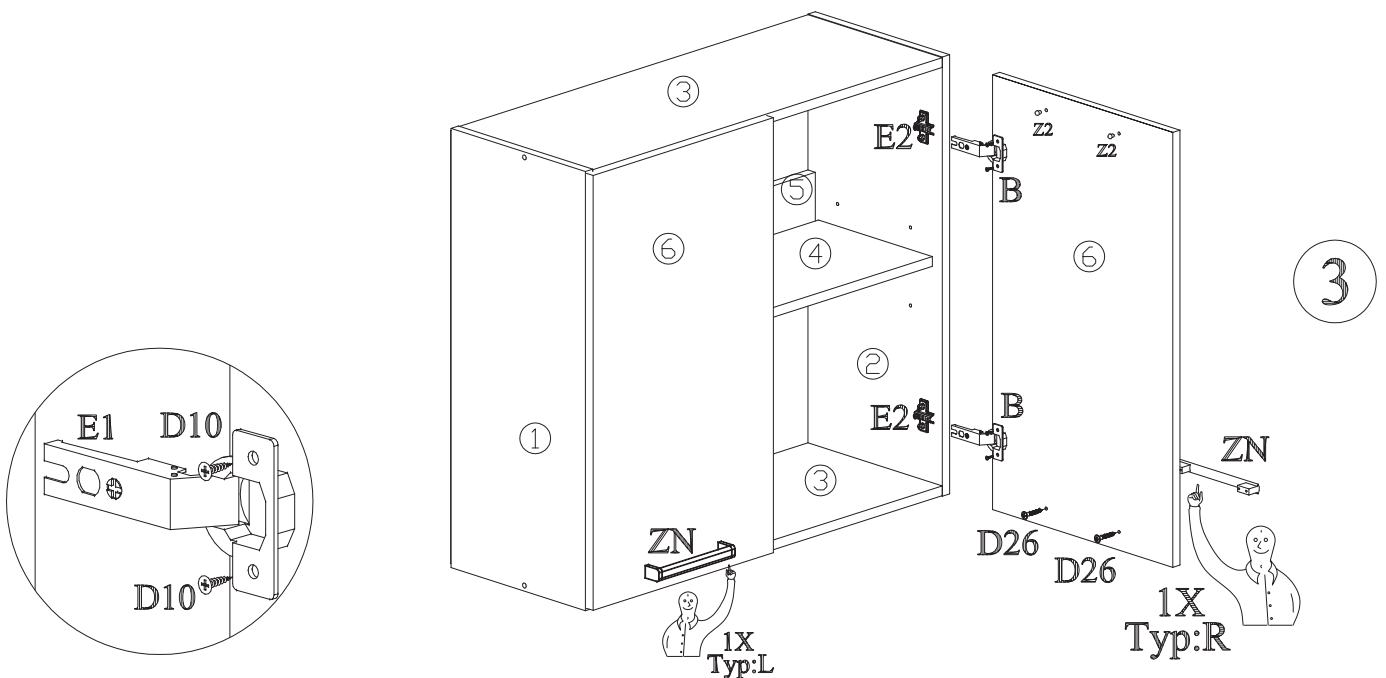
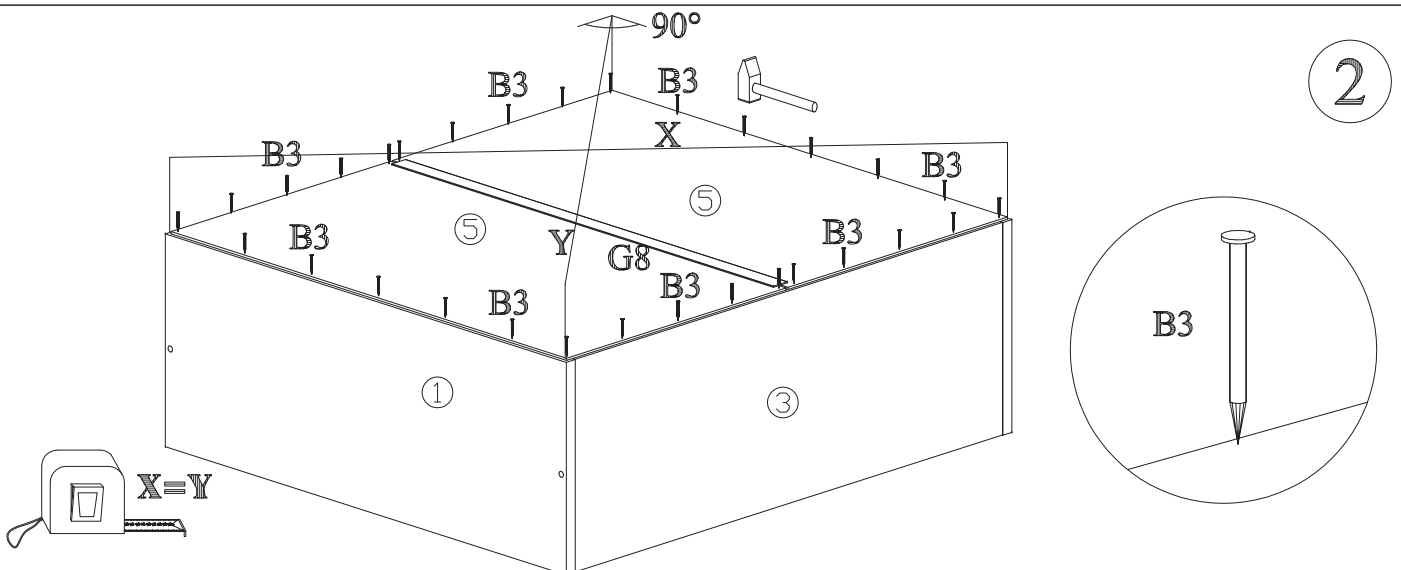
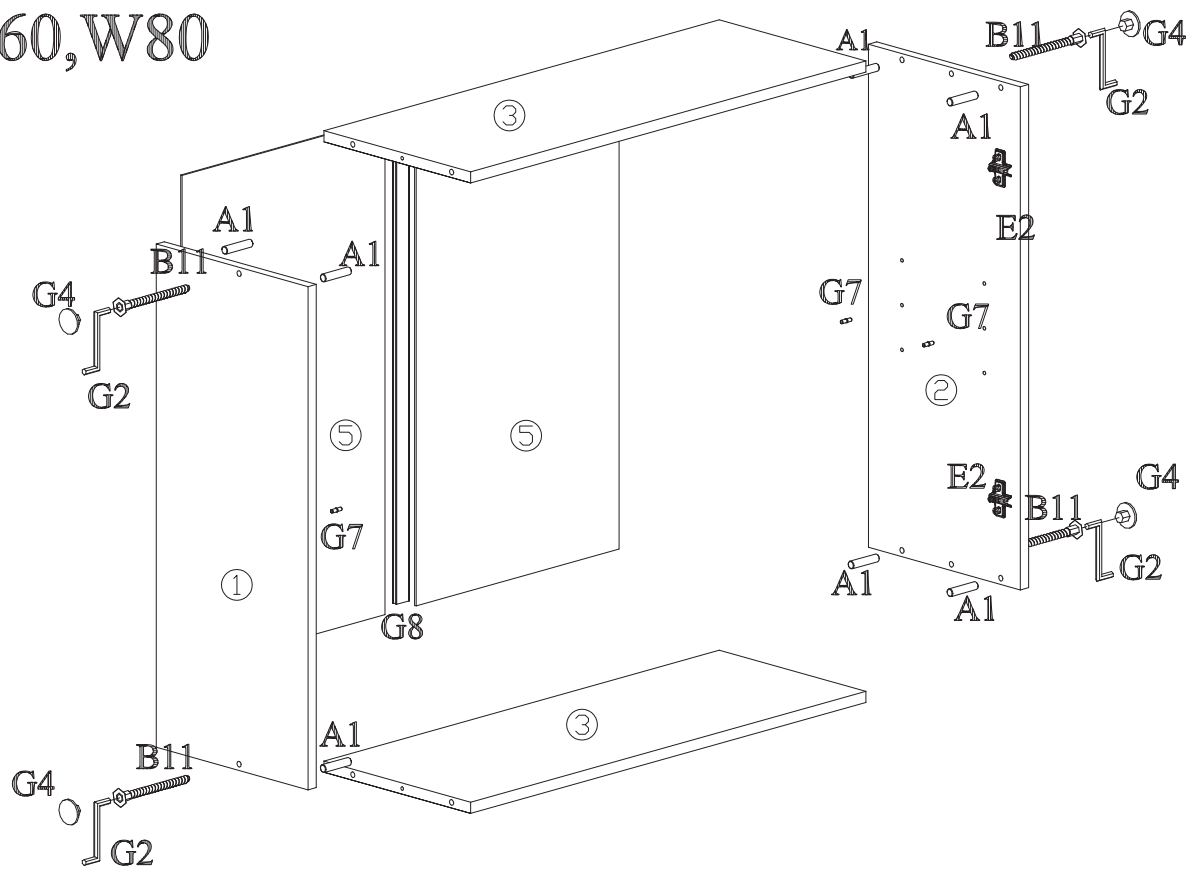
# W60, W80

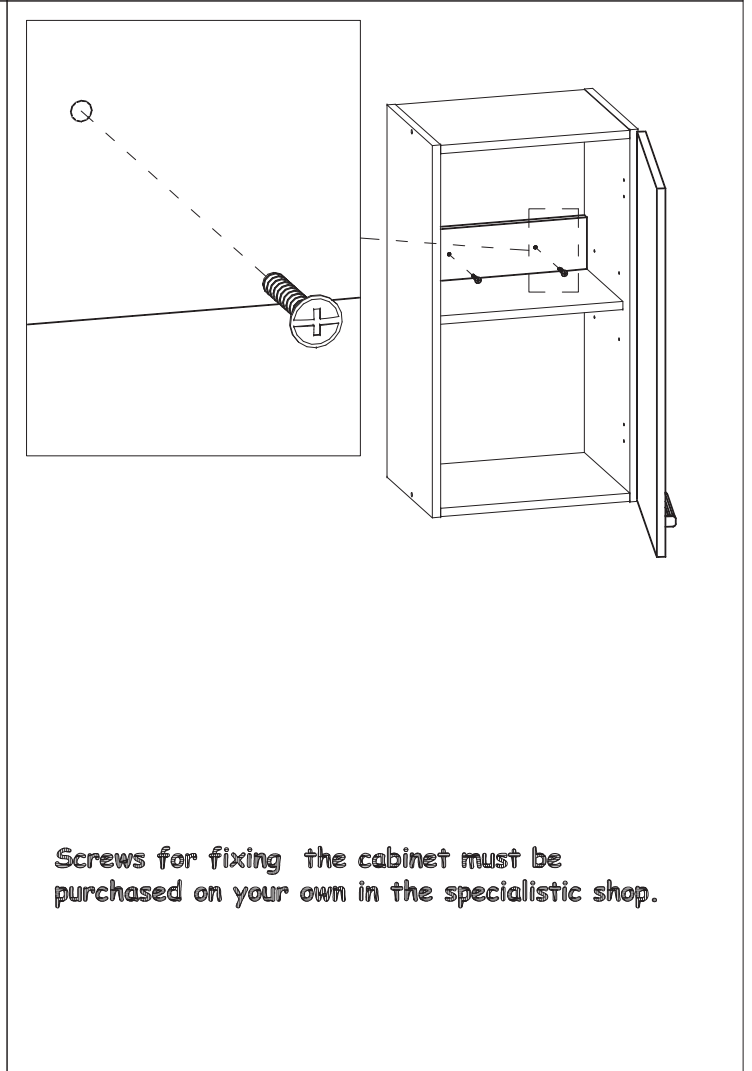
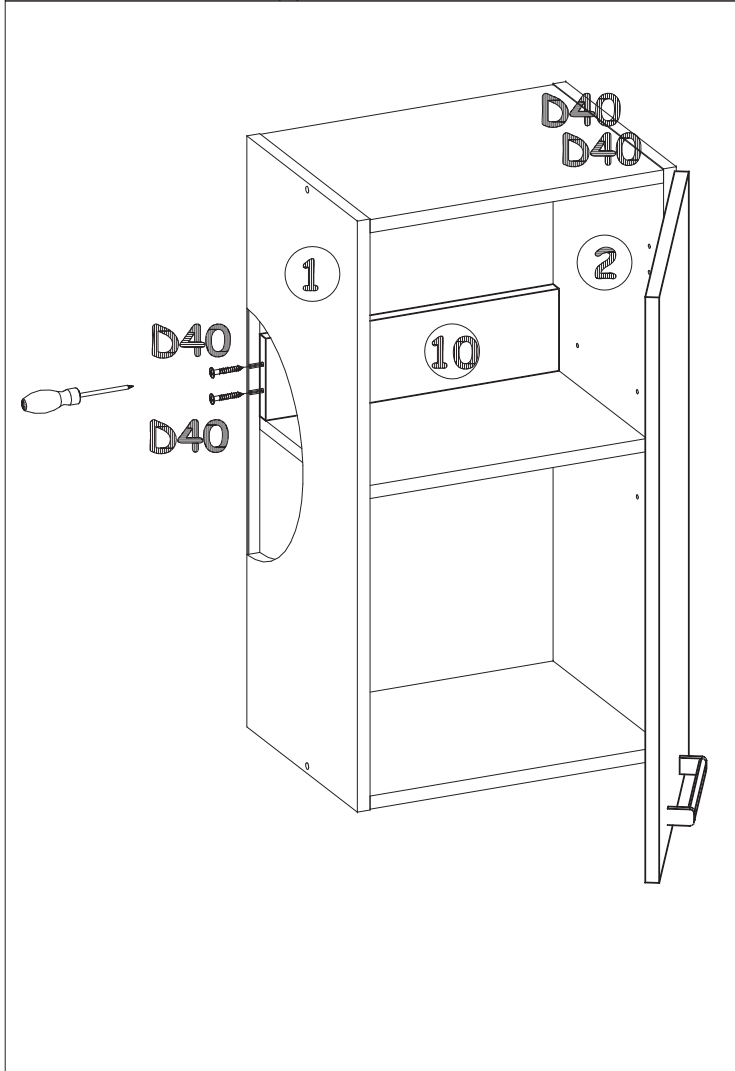
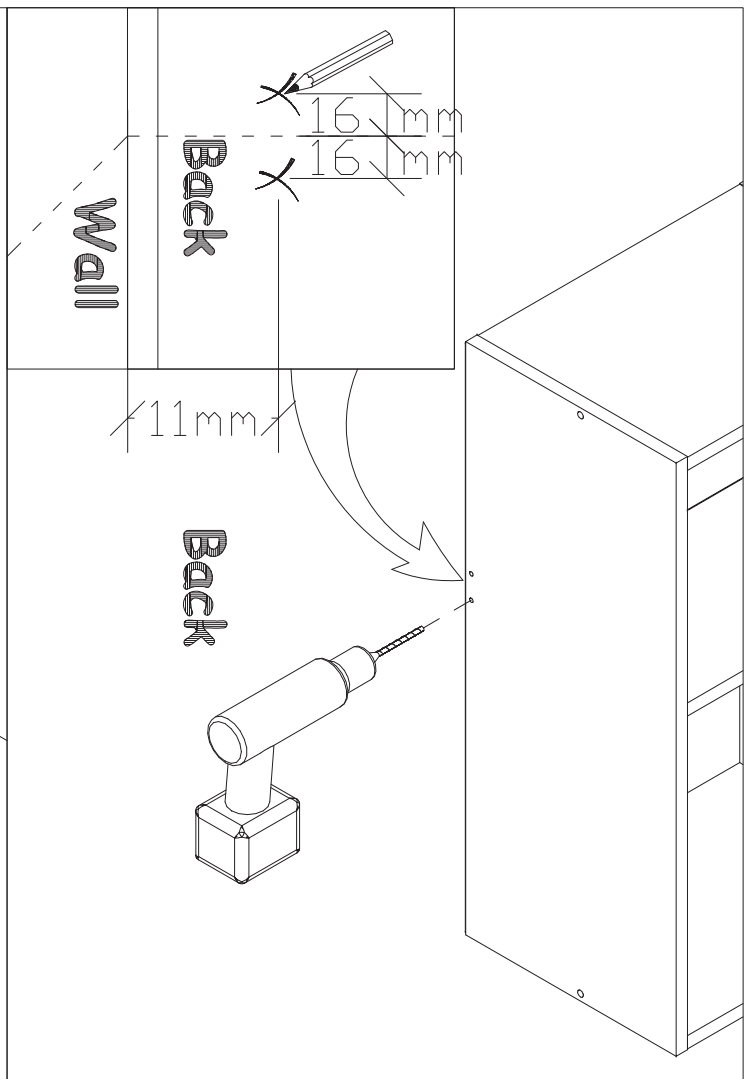
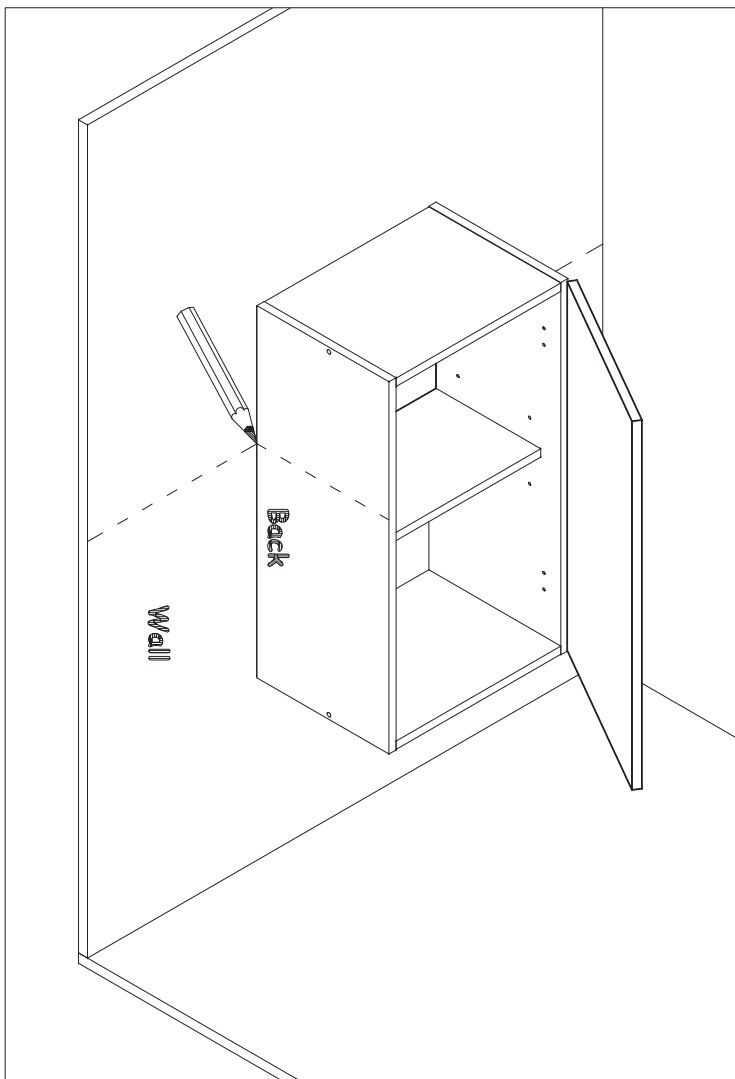


4



# W60,W80





Screws for fixing the cabinet must be purchased on your own in the specialistic shop.