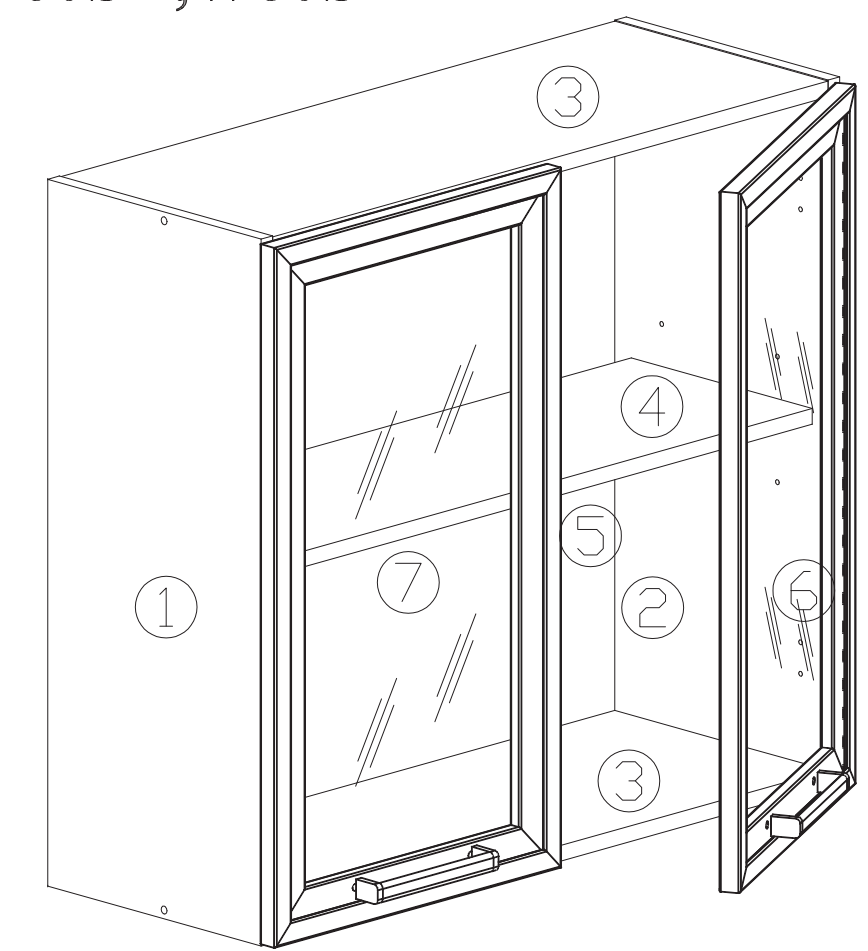
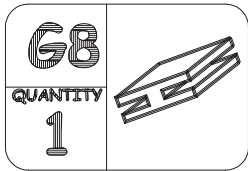
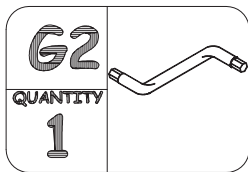
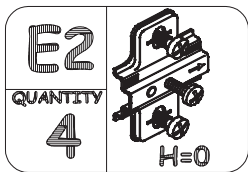
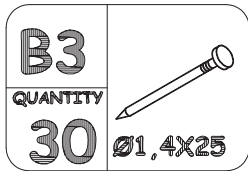
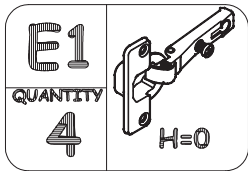
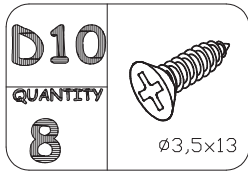
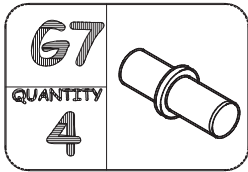
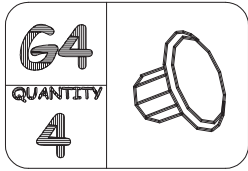
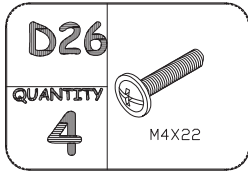
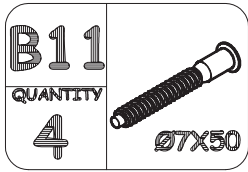
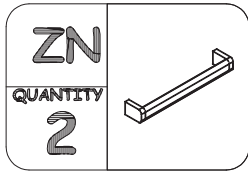
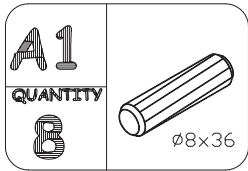
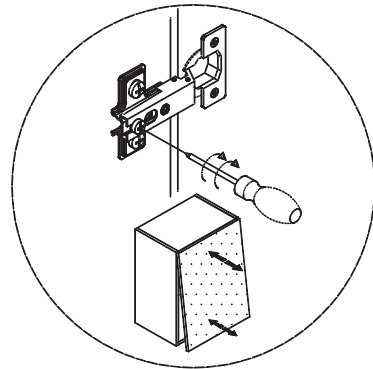
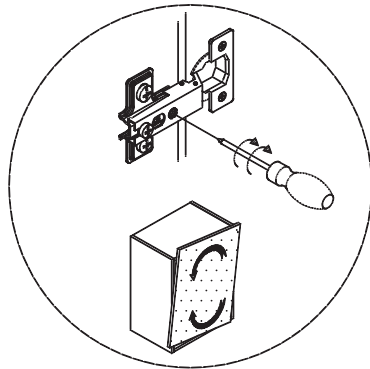
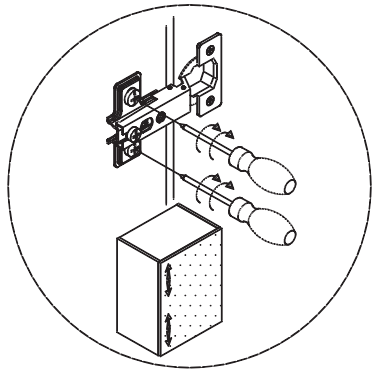


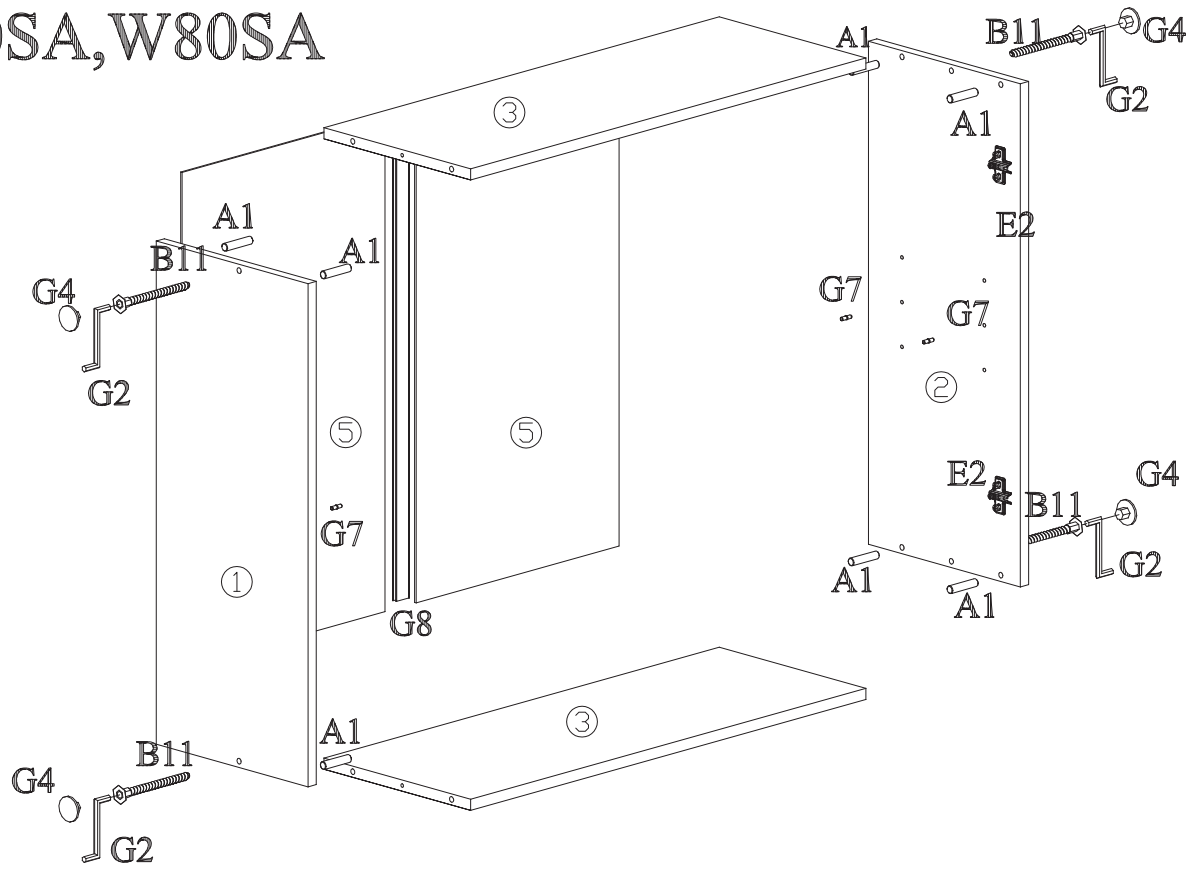
W60SA, W80SA



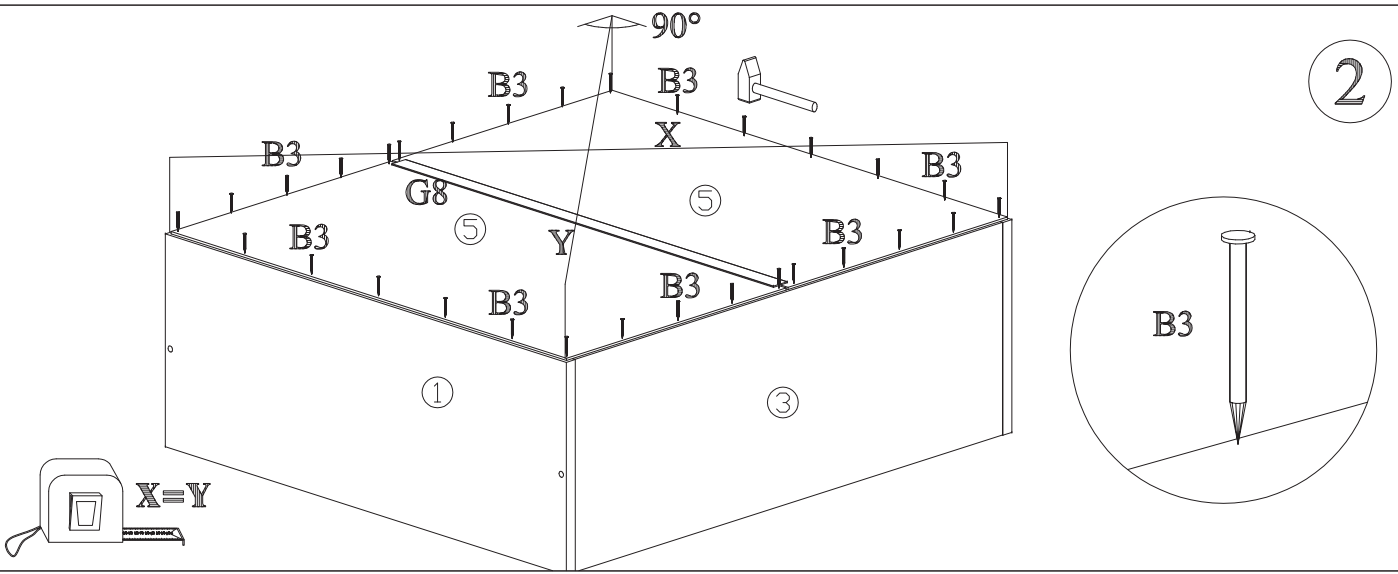
4



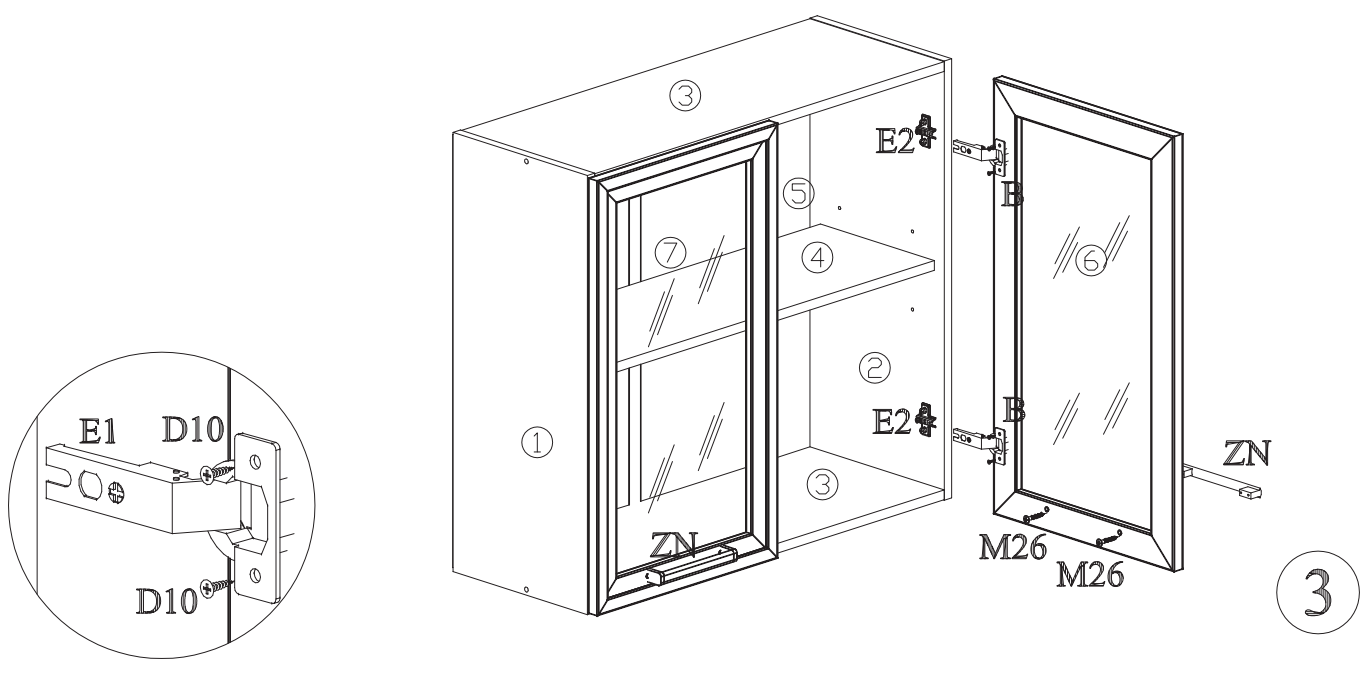
W60SA, W80SA



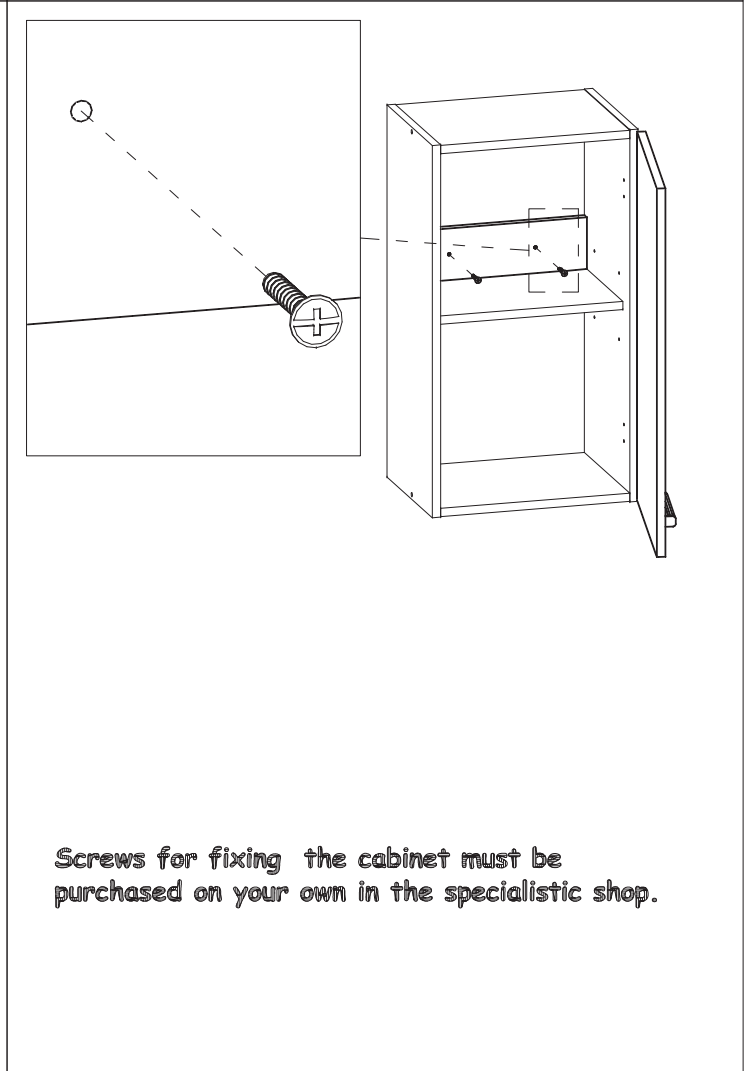
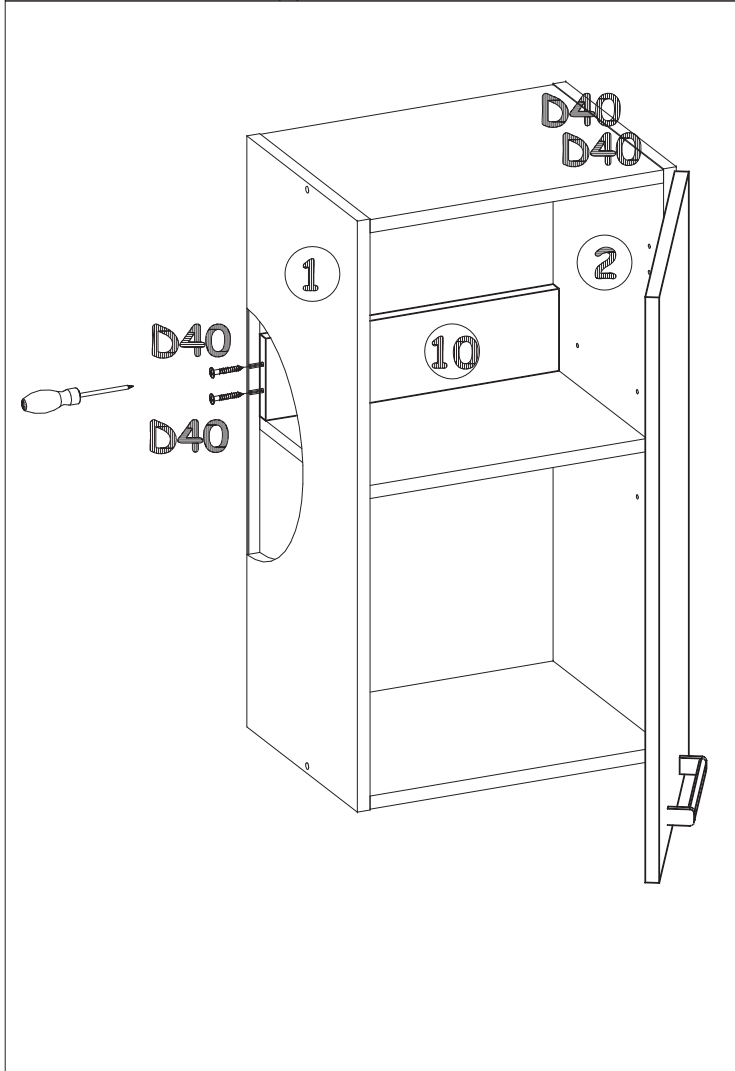
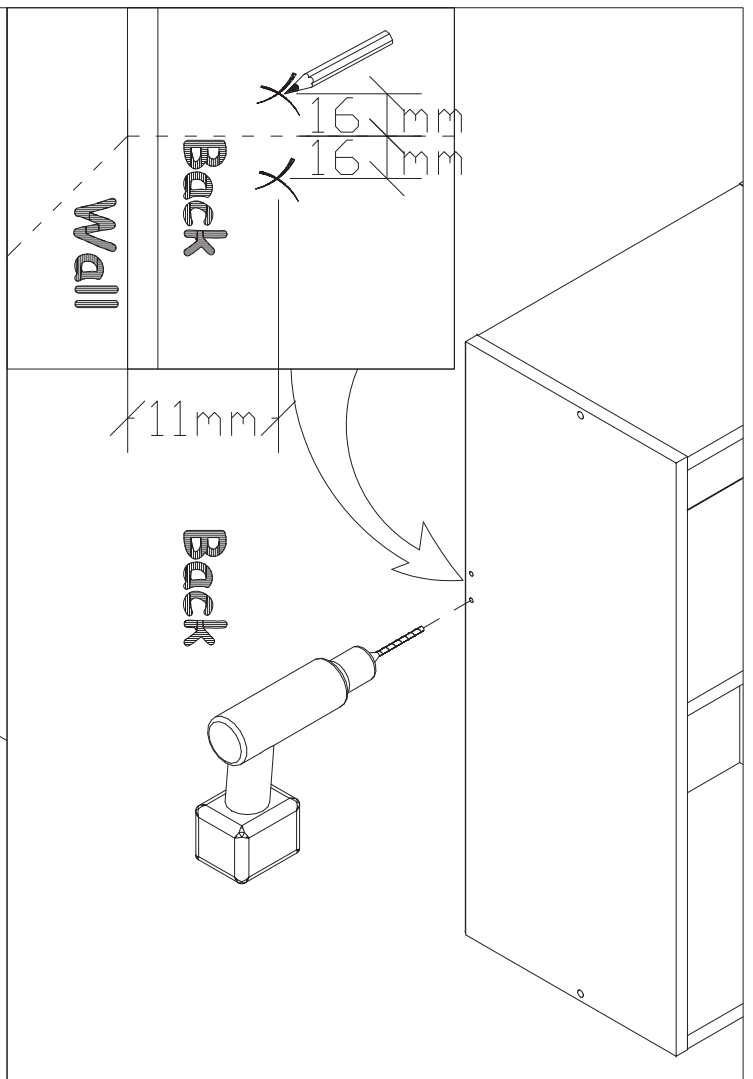
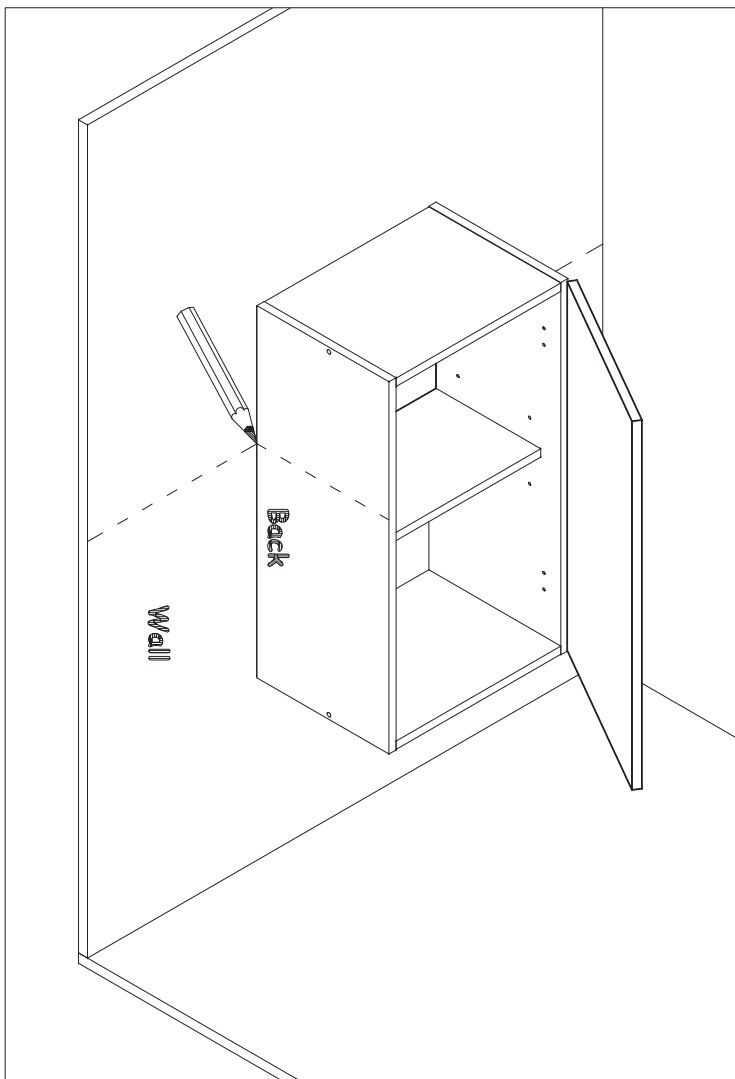
1



2



3



Screws for fixing the cabinet must be purchased on your own in the specialistic shop.