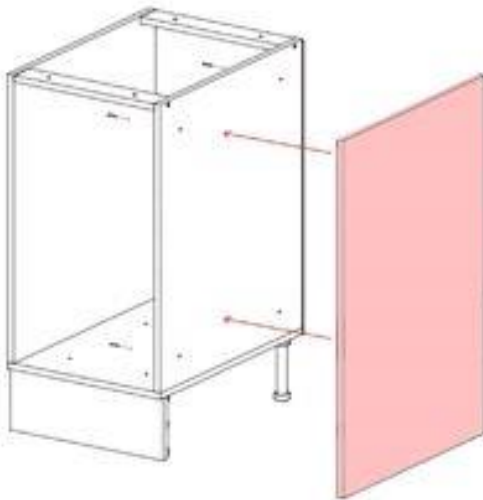


Installing end panels

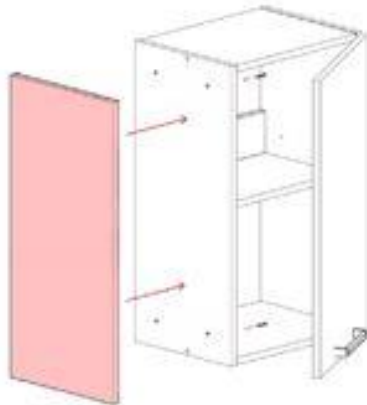
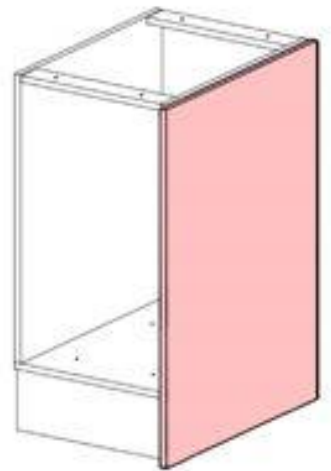


Base end panel (BEP)

Get your end panel in place, clamping to the side of the cabinet to make it easier. The panel will extend all the way down to the floor.

Predrill from the inside of the cabinet, be very careful not to drill all the way through the panel.

Screw together from the inside. Be careful not to screw in too far or the screw will protrude through the thermo wrap.

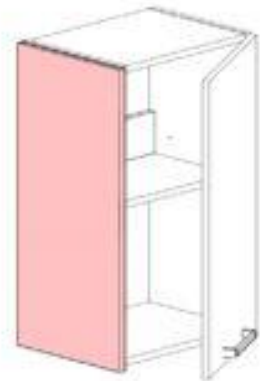


Wall end panel (WEP)

Get your end panel in place, clamping to the side of the cabinet to make it easier. The panel needs to extend 16mm out the front to be flush with the front of the door.

Predrill from the inside of the cabinet, be very careful not to drill all the way through the panel.

Screw together from the inside. Be careful not to screw in too far or the screw will protrude through the thermo wrap.



Breakfast Bar Panels

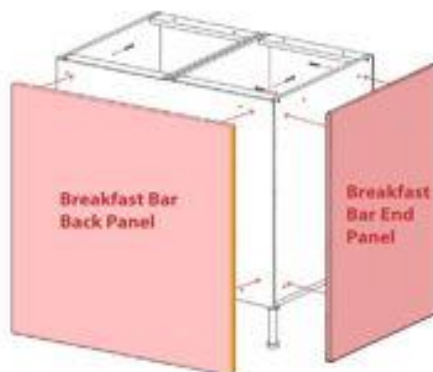
Breakfast bar end panels are slightly wider than regular base end panels. This is so they overlap the end of the breakfast bar back panel, hiding any cut edge, and having a more finished end.

Get your end panel in place, clamping to the side of the cabinet to make it easier. The panel needs to extend 16mm out the front to be flush with the front of the door and 16mm out the back to overlap the bar back panel.

Predrill from the inside of the cabinet, be very careful not to drill all the way through the panel.

Screw together from the inside. Be careful not to screw in too far or the screw will protrude through the thermo wrap.

Cut your bar back panel to the correct length, making sure you cut the end that will not be seen. Either the end against a wall or in this example, the end that is overlapped by the bar end panel. Position the bar back panel so the end sits against the inside of the end panel. Repeat the steps for screwing into place.



Cut Edge

