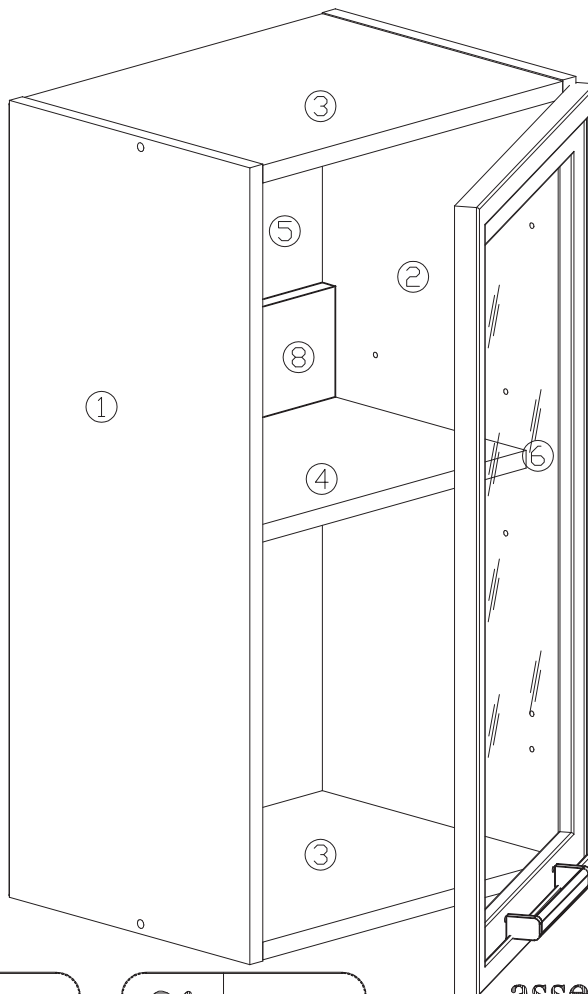
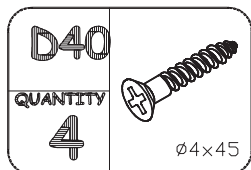
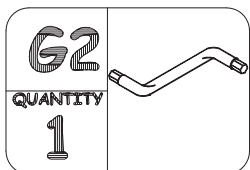
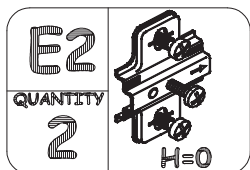
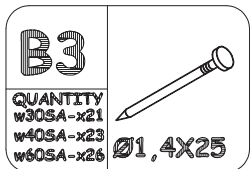
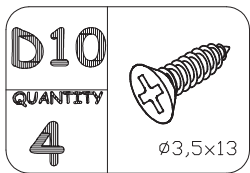
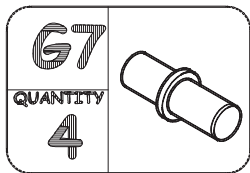
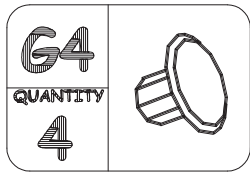
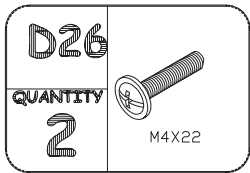
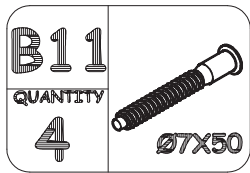
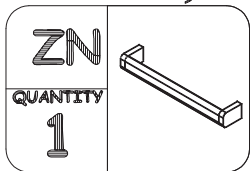
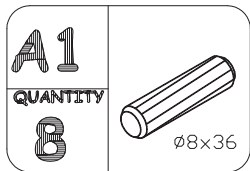
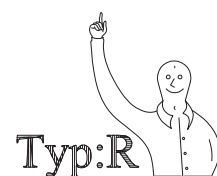


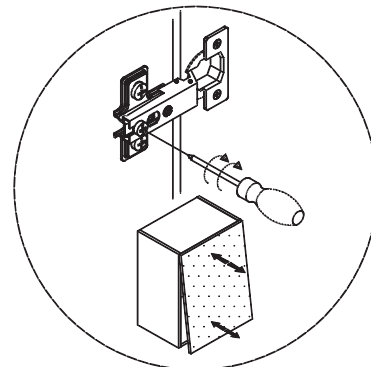
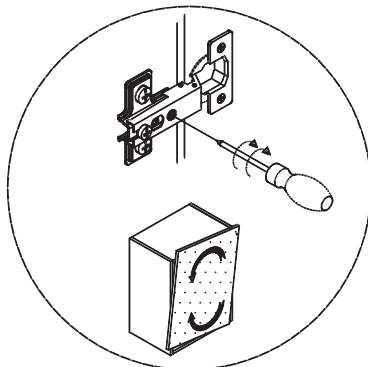
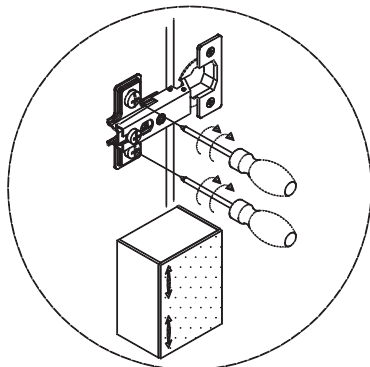
W30SA;W40SA;W601D SA



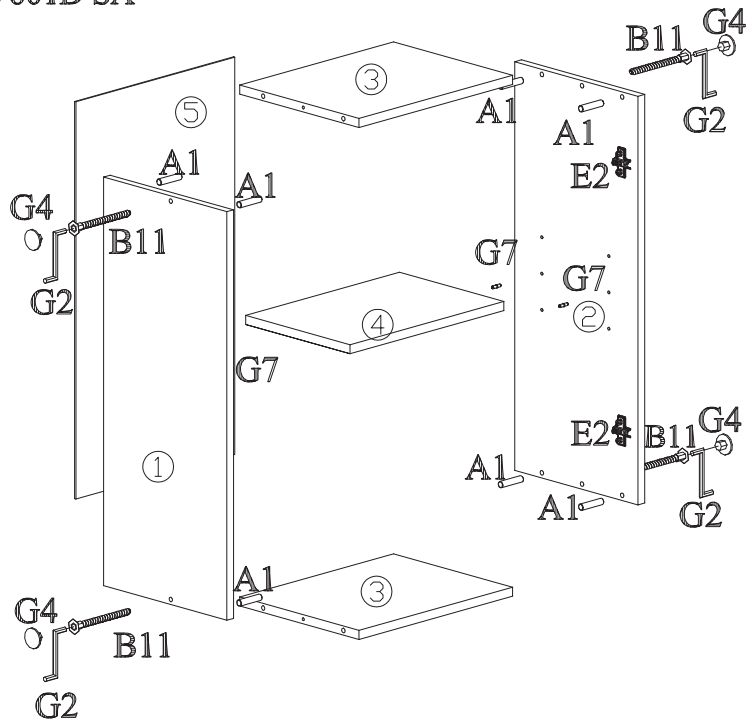
assembly
version



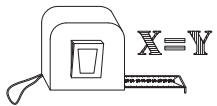
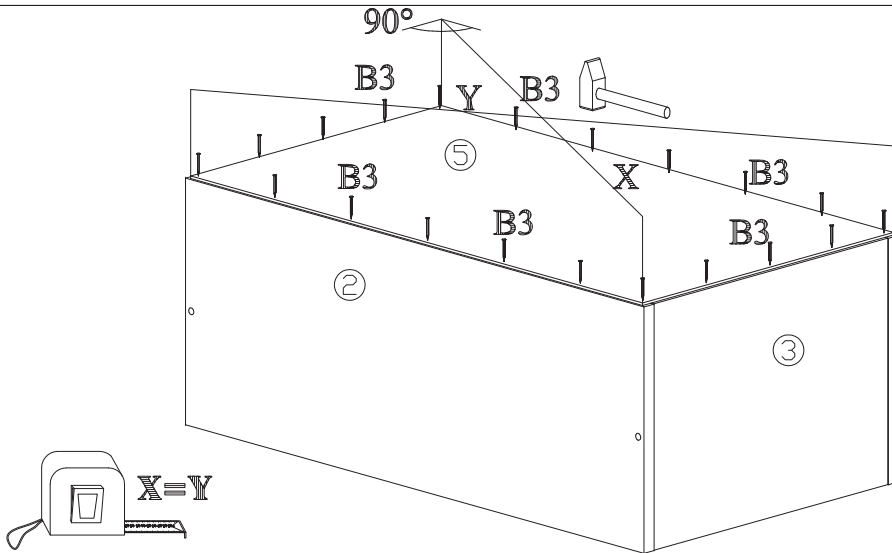
4



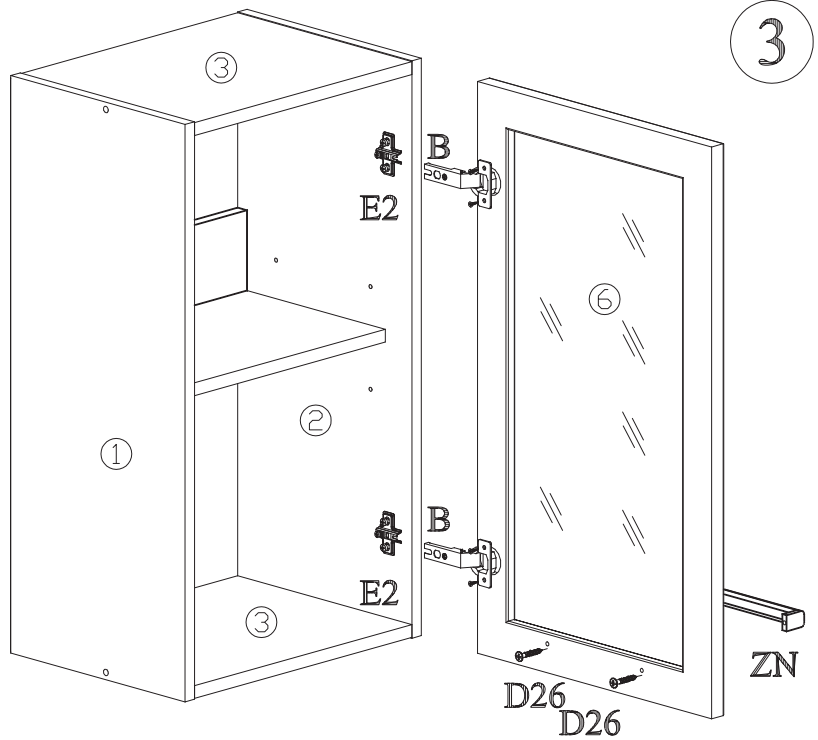
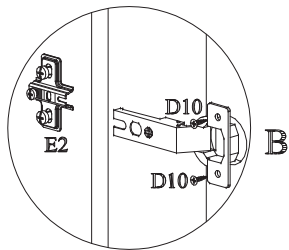
1

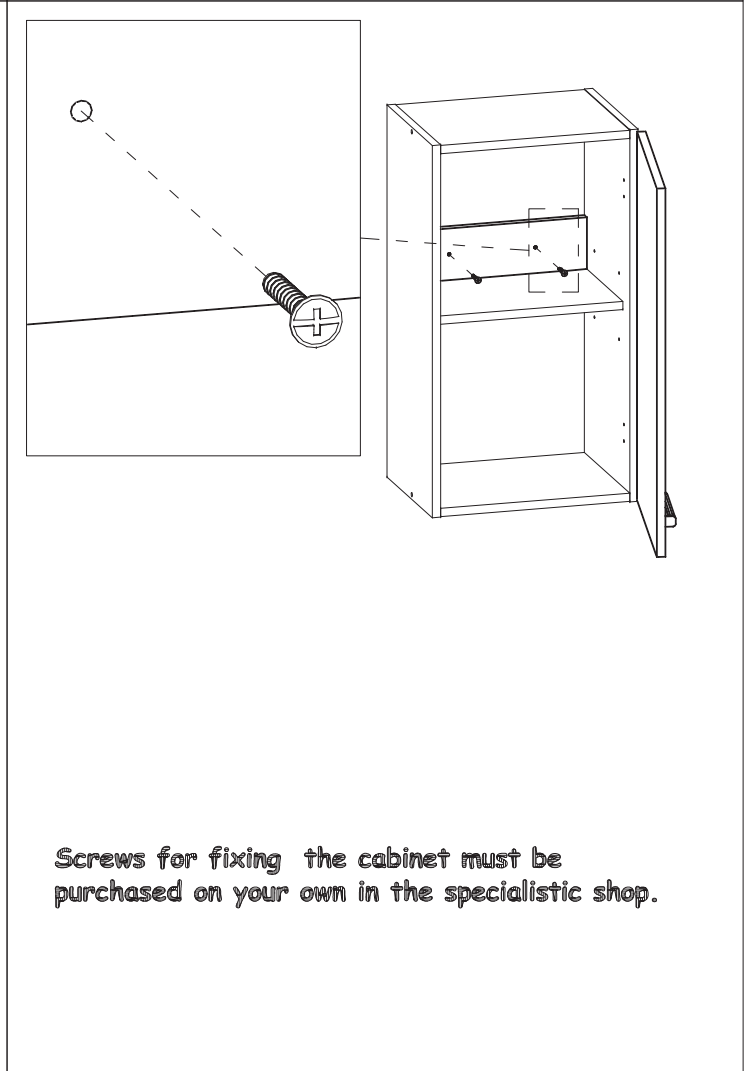
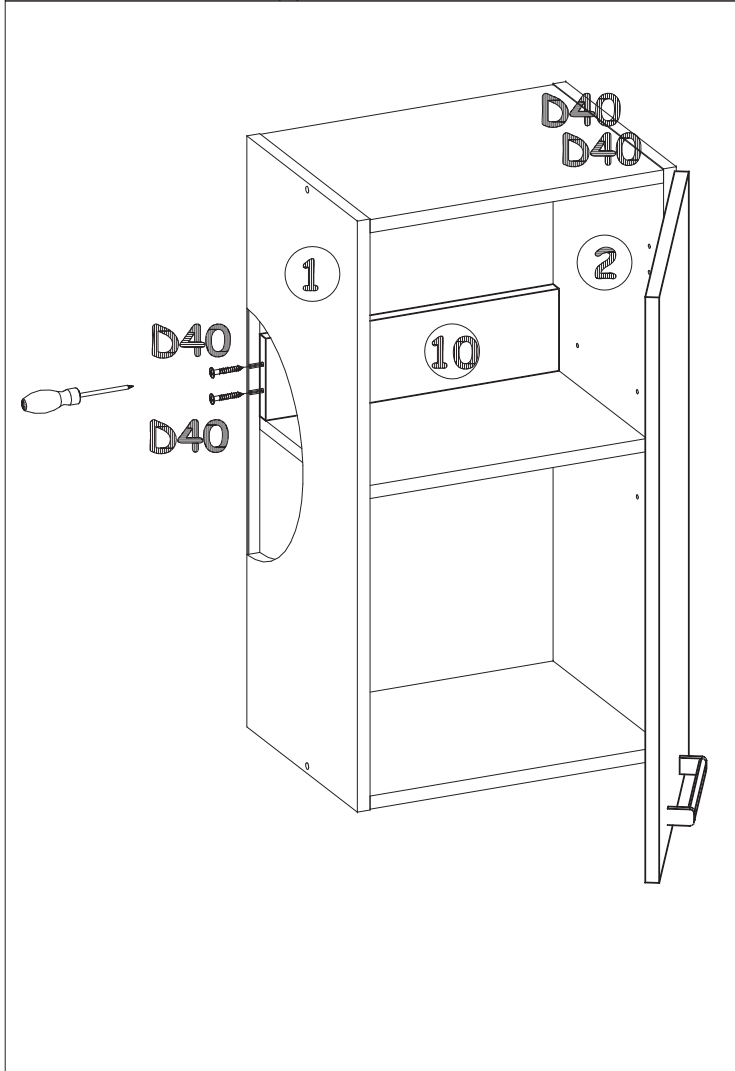
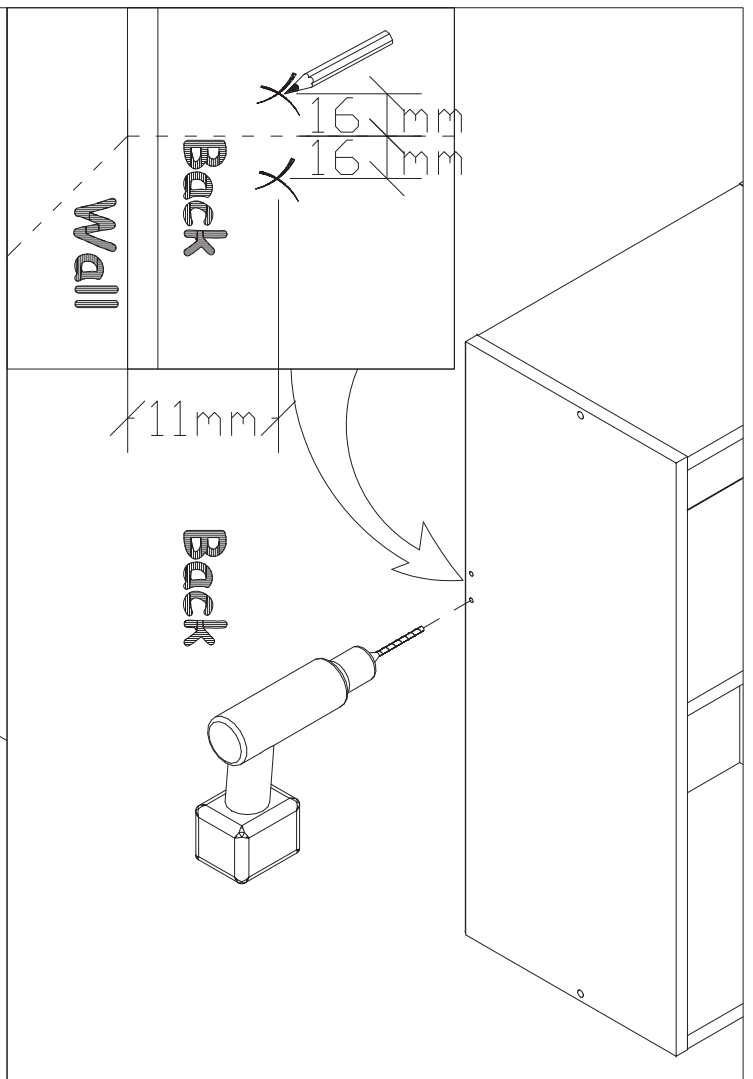
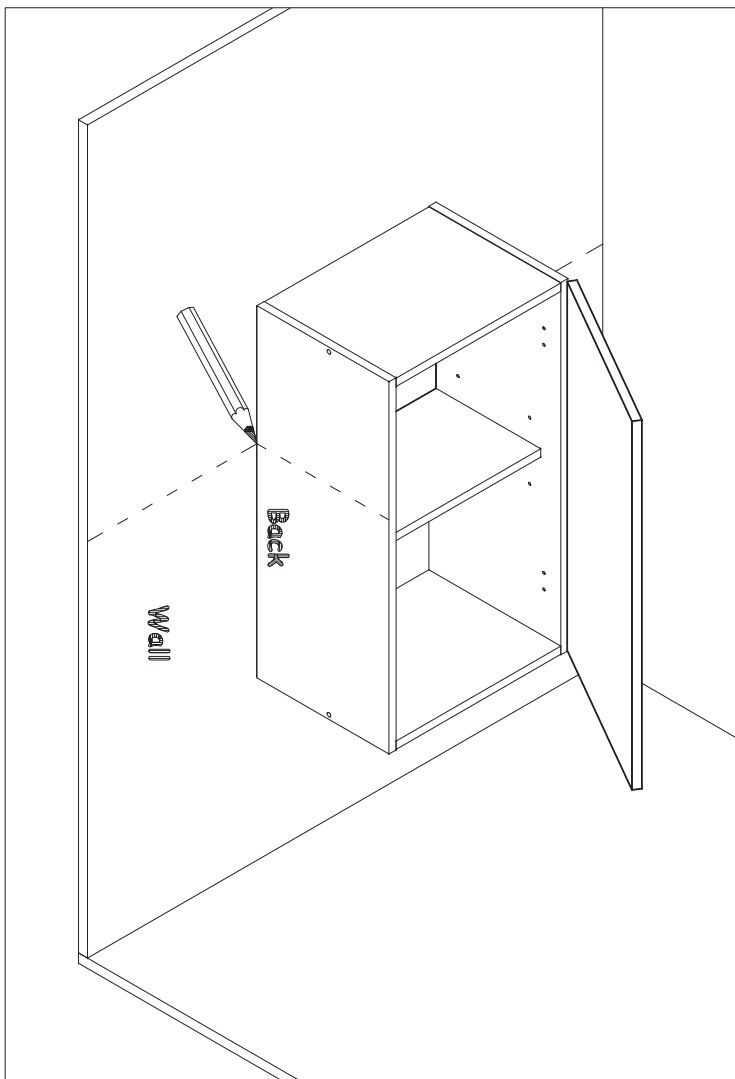


2



3





Screws for fixing the cabinet must be purchased on your own in the specialistic shop.