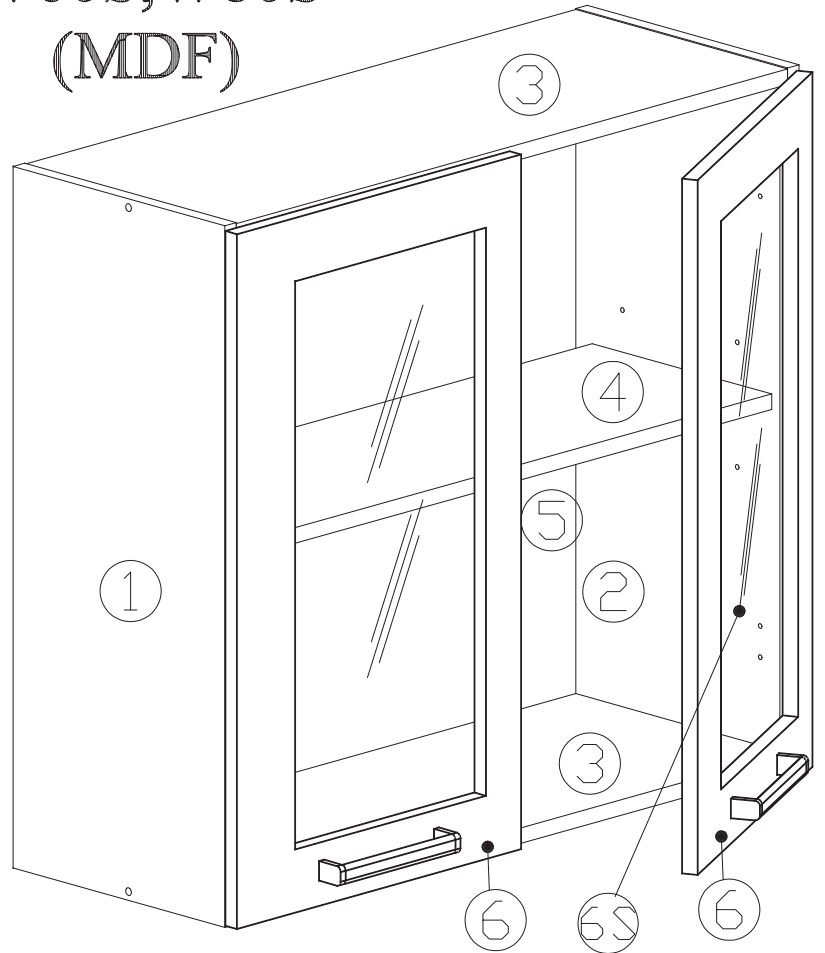
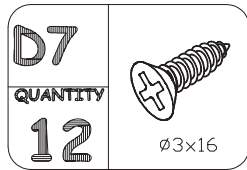
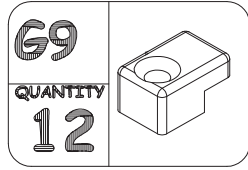
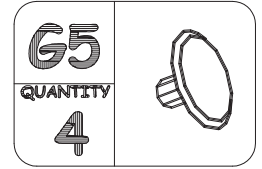
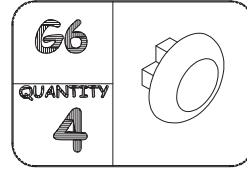
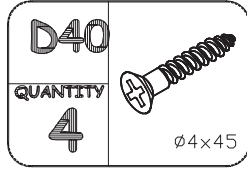
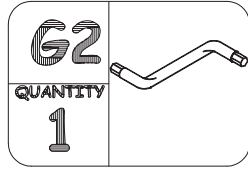
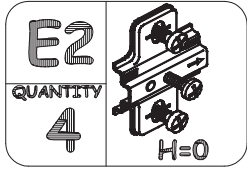
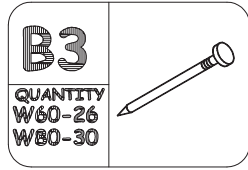
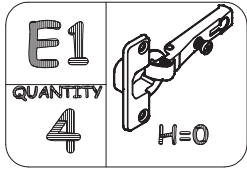
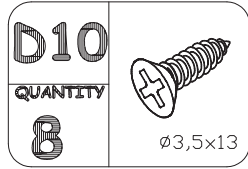
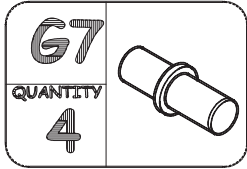
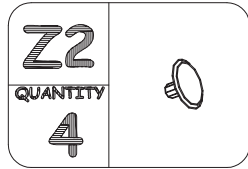
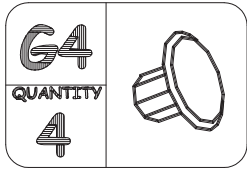
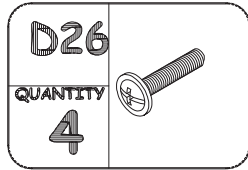
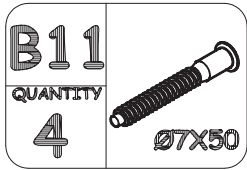
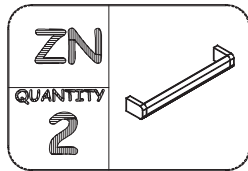
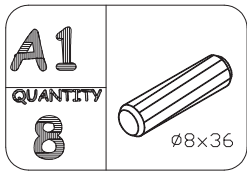
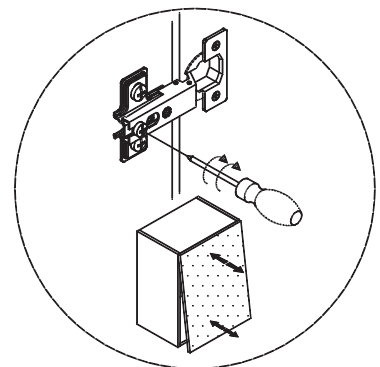
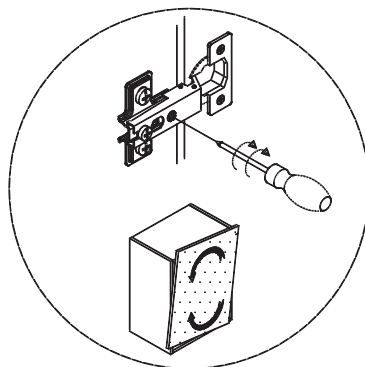
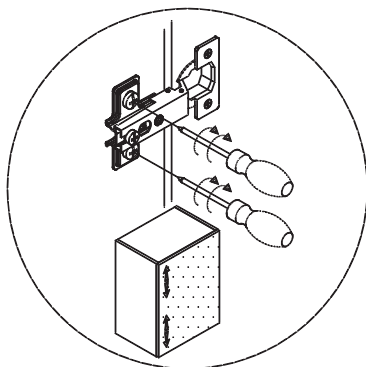


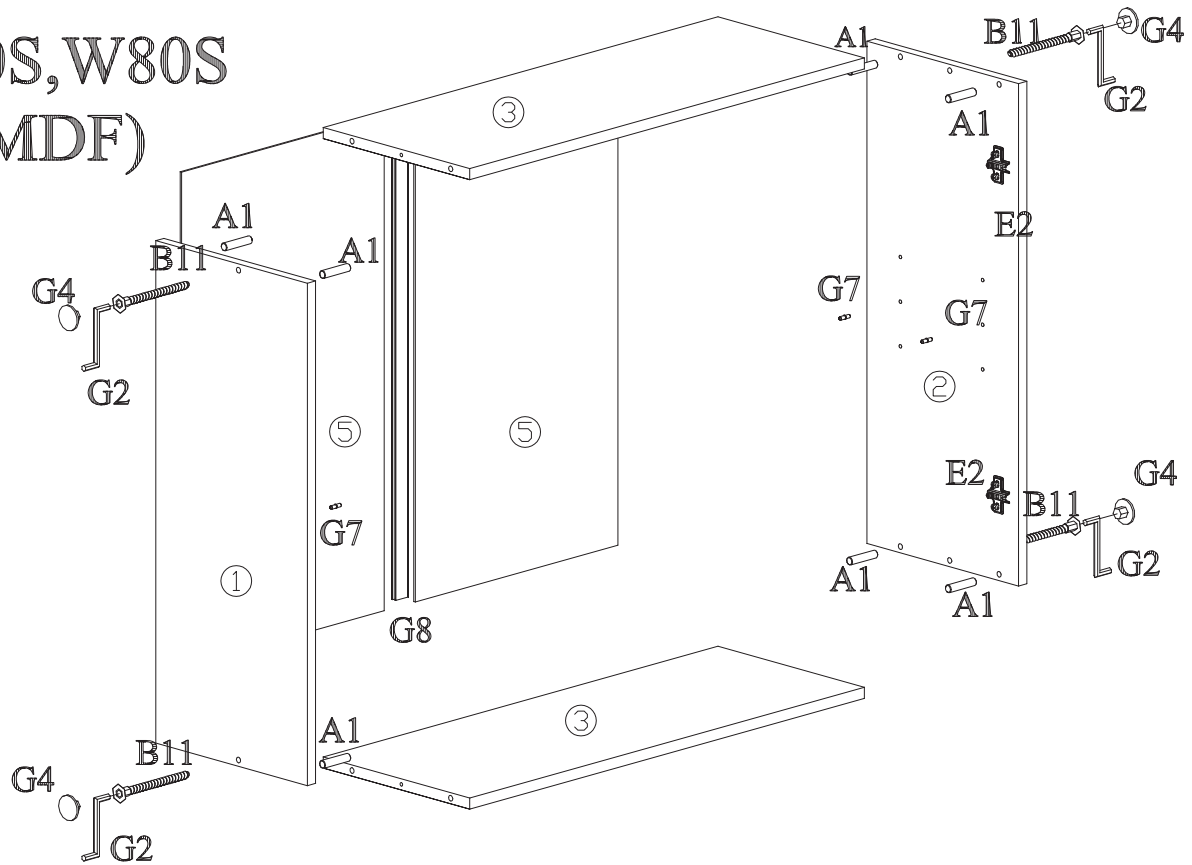
# W60S, W80S (MDF)



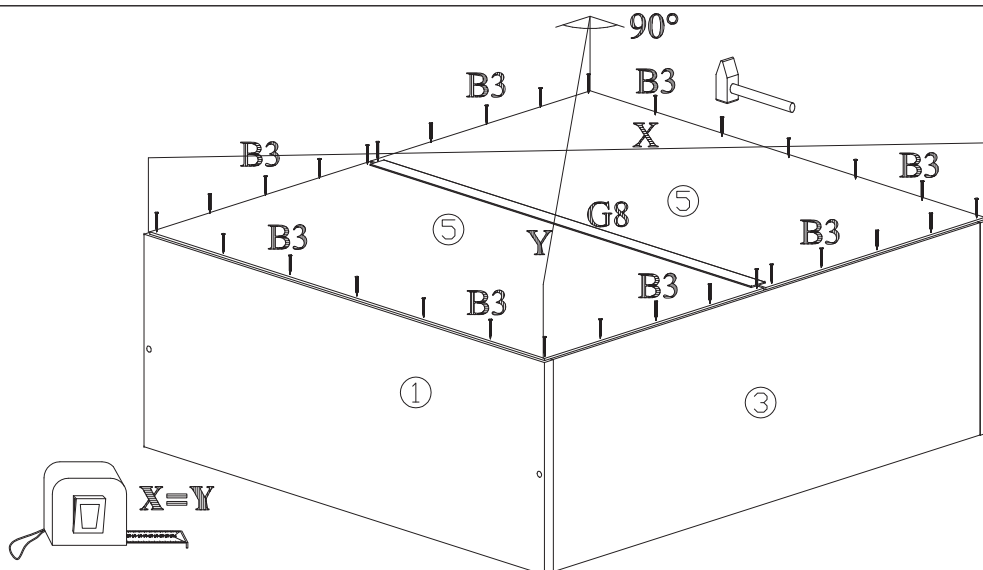
4



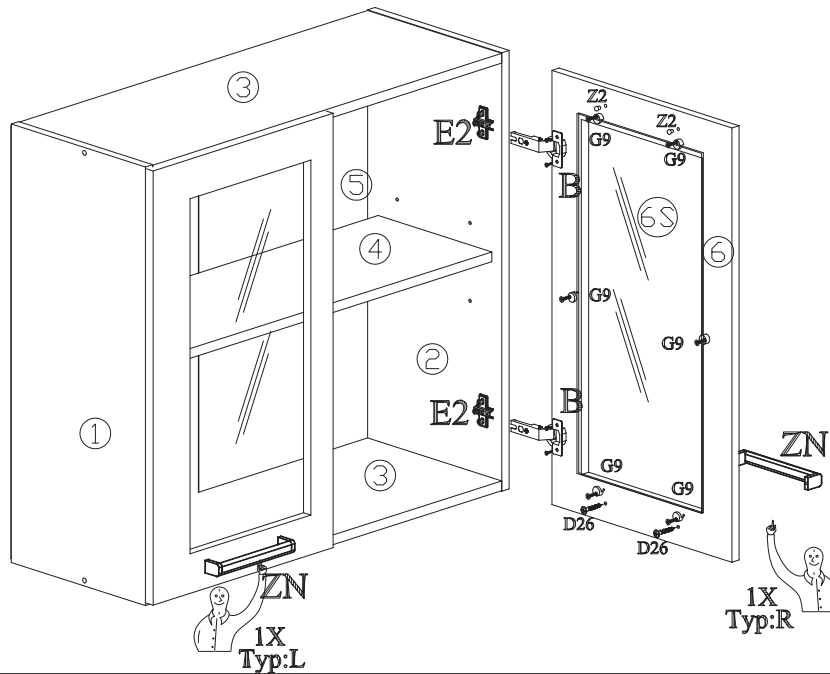
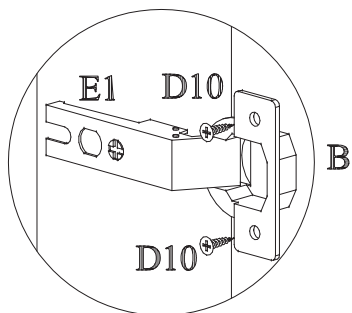
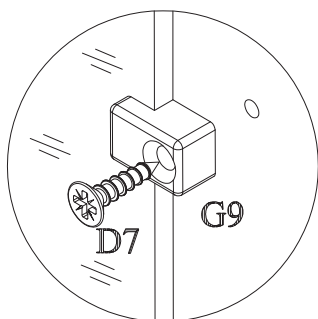
# W60S, W80S (MDF)



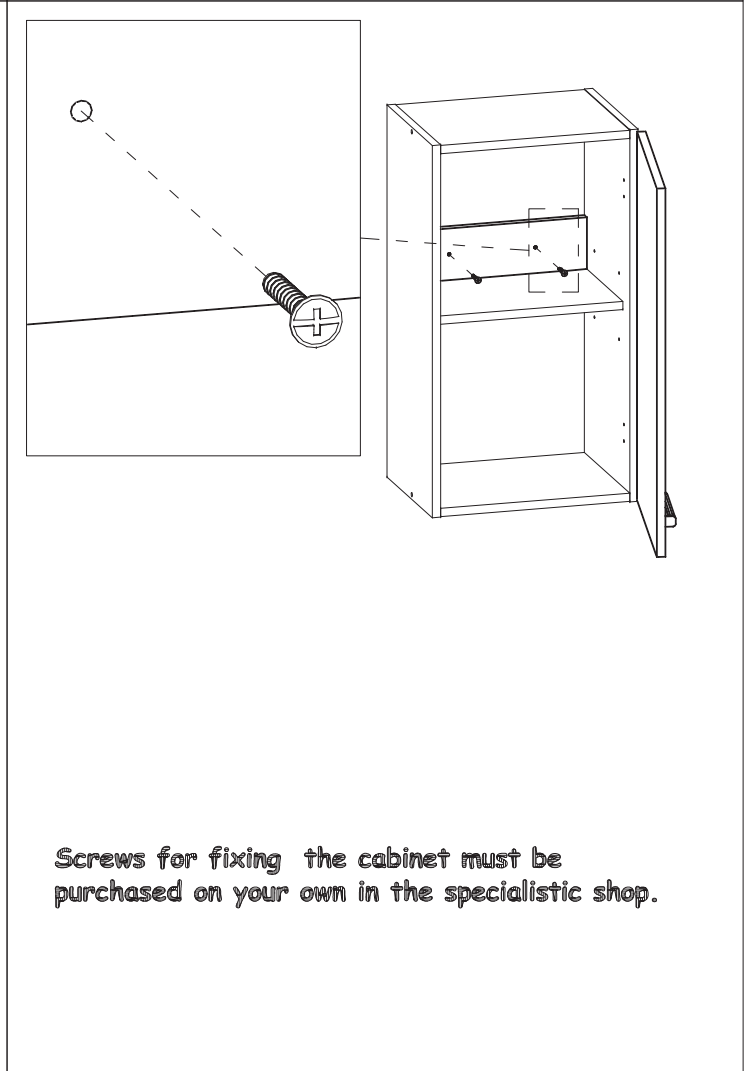
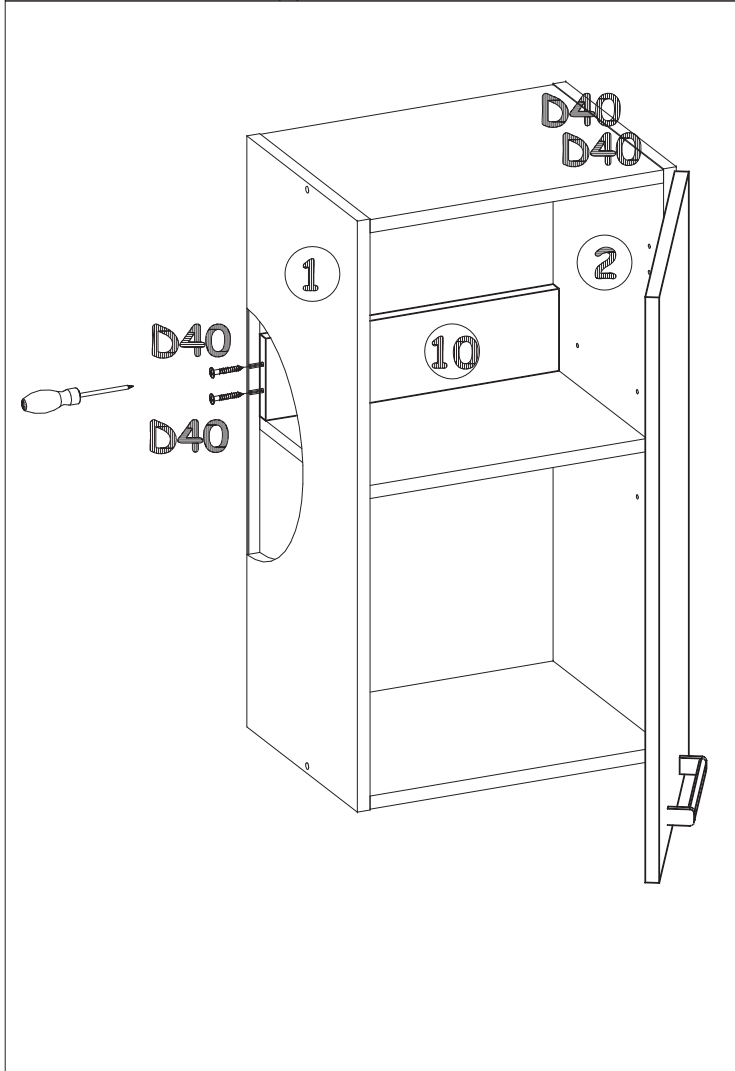
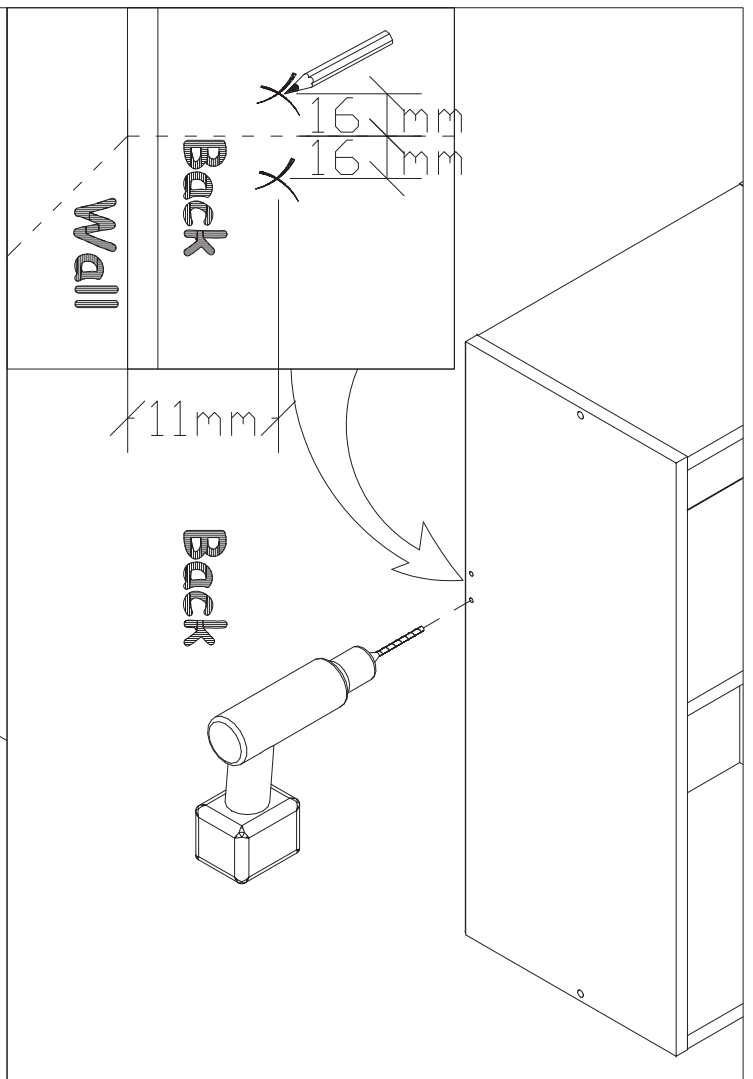
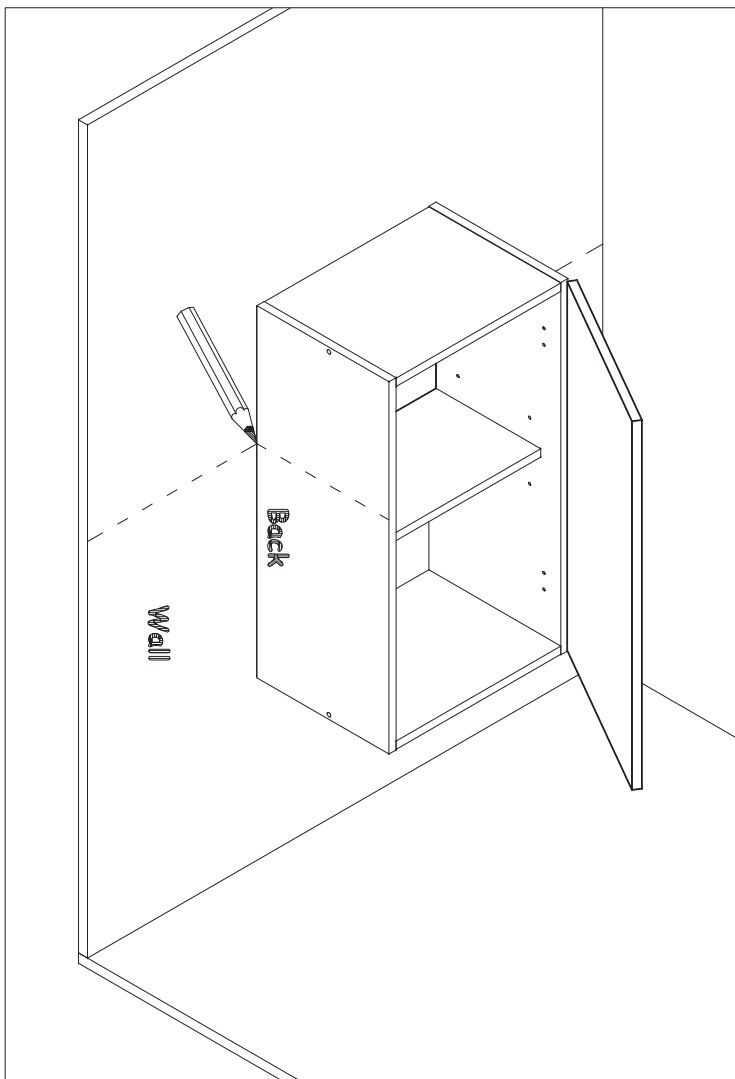
1



2



3



Screws for fixing the cabinet must be purchased on your own in the specialistic shop.